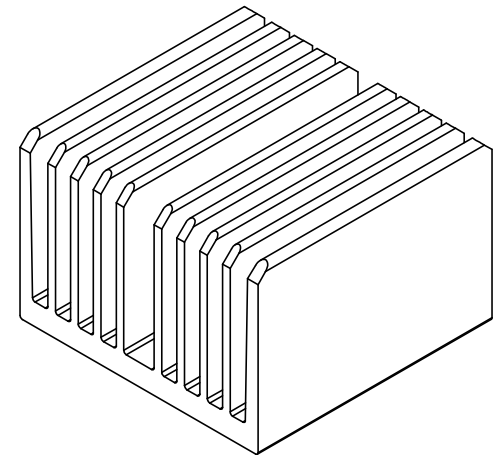
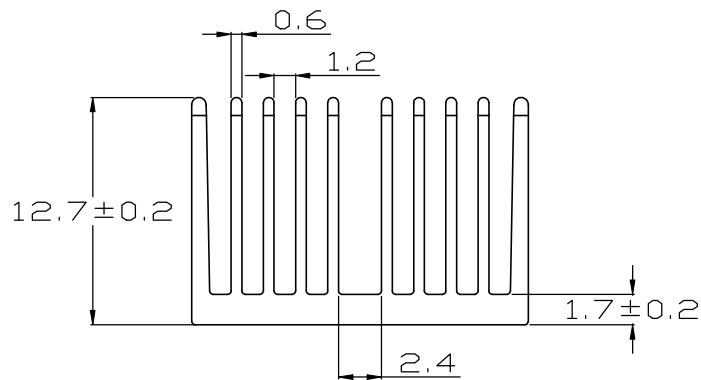
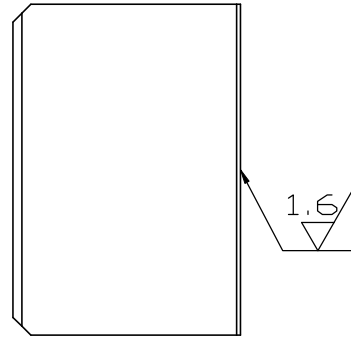
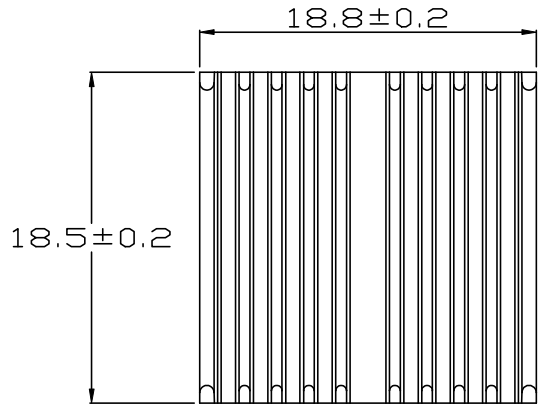


REV.	DESCRIPTION	DATE	CHECKED
A	NEW RELEASE	04.15.2014	NICOLE



FINISH: BLACK ANODIZE		ENZOTECH			
MATERIAL: AL 6063		APPROVED: AUDI	CHECKED: WEN	DRAWN: NICOLE	REV.: A
DATE: 04.15.2014		P/N. : H 19-13			
TITLE: HEAT SINK					

UNIT:	MM
TOLERANCE TABLE	
X.	=±0.30
X.X	=±0.20
X.XX	=±0.10
ANGLE	=±1°