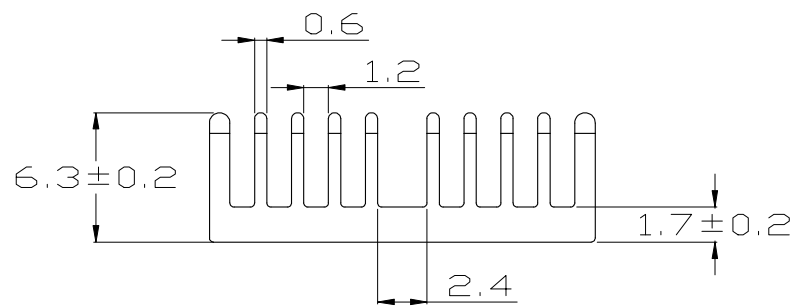
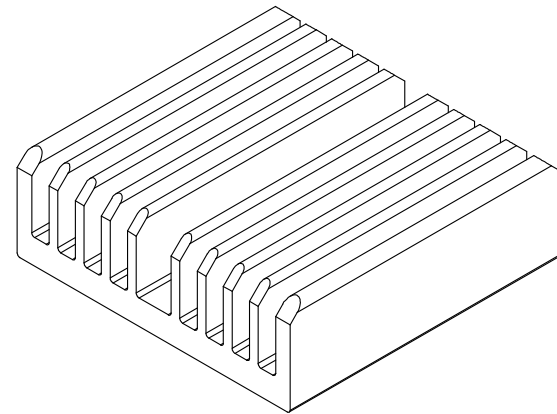
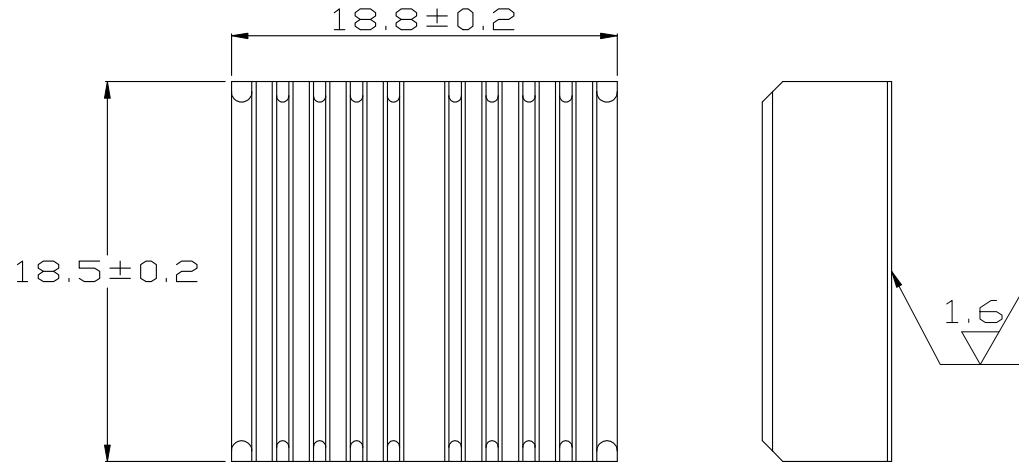


| REV. | DESCRIPTION | DATE | CHECKED |
|------|-------------|------------|---------|
| A | NEW RELEASE | 04.15.2014 | NICOLE |



| | |
|-----------------|---------------|
| UNIT: | MM |
| TOLERANCE TABLE | |
| X. | ± 0.30 |
| X.X | ± 0.20 |
| X.XX | ± 0.10 |
| ANGLE | $\pm 1^\circ$ |

| | | | | |
|------------|----------------|----------|--------|-------|
| FINISH: | ANTI-OXIDATION | | | |
| MATERIAL: | CU 1100 | | | |
| DATE: | APPROVED: | CHECKED: | DRAWN: | REV.: |
| 04.15.2014 | AUDI | WEN | NICOLE | A |
| TITLE: | P/N : | | | |
| HEAT SINK | HC 19-06 | | | |

F

F

A2