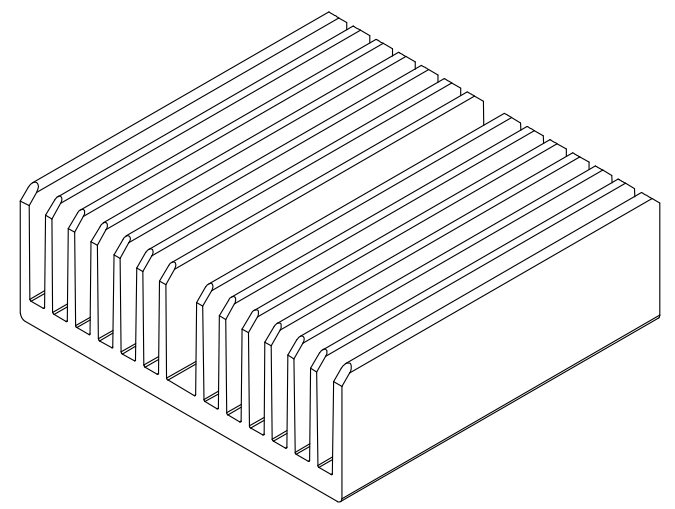
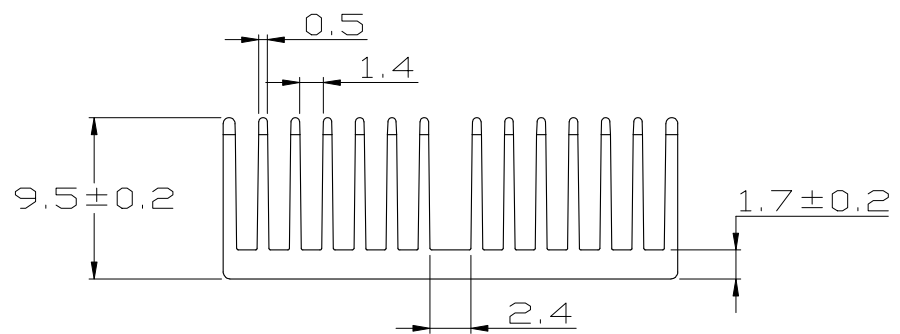
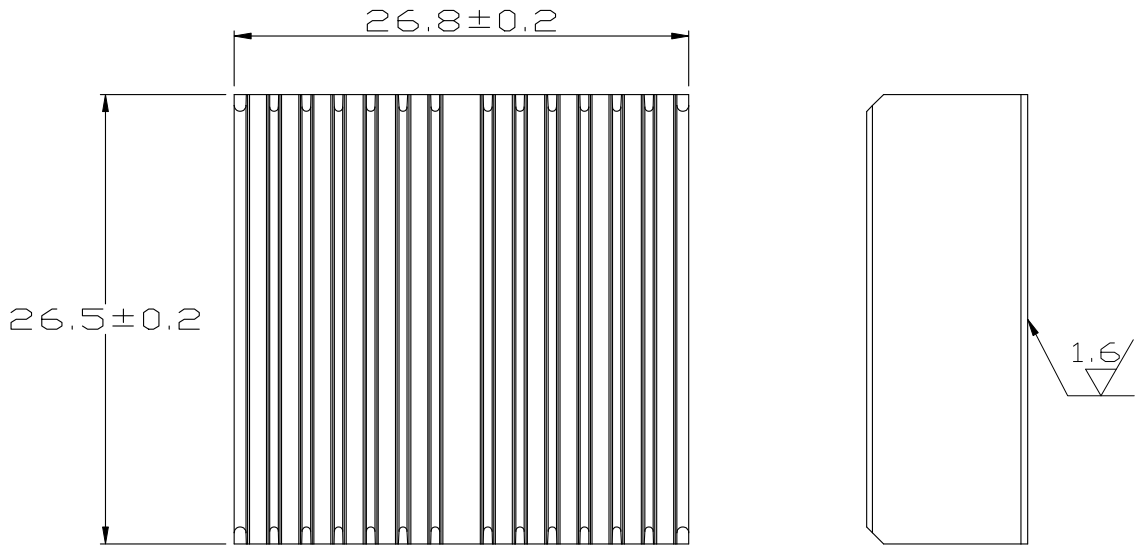


| REV. | DESCRIPTION | DATE | CHECKED |
|------|-------------|------------|---------|
| A | NEW RELEASE | 04.15.2014 | NICOLE |



| | |
|-----------------|--------|
| UNIT: | MM |
| TOLERANCE TABLE | |
| X. | =±0.30 |
| X.X | =±0.20 |
| X.XX | =±0.10 |
| ANGLE | =±1° |

| | | | | |
|------------|----------------|----------|--------|-------|
| FINISH: | ANTI-OXIDATION | | | |
| MATERIAL: | CU 1100 | | | |
| DATE: | APPROVED: | CHECKED: | DRAWN: | REV.: |
| 04.15.2014 | AUDI | WEN | NICOLE | A |
| TITLE: | P/N : | | | |
| HEAT SINK | HC 27-10 | | | |