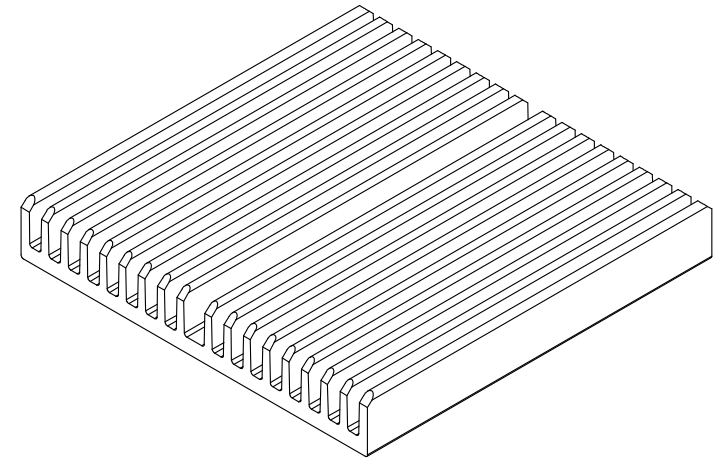
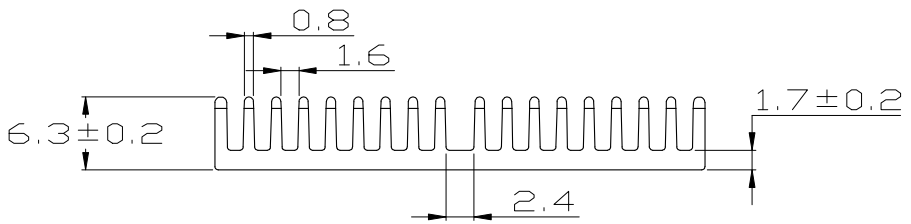
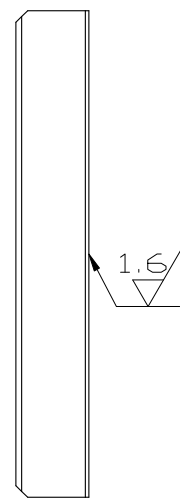
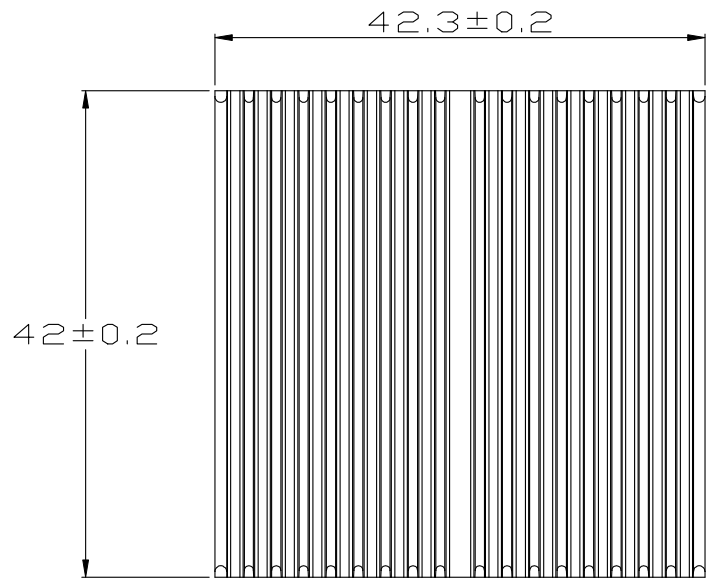


| REV. | DESCRIPTION | DATE       | CHECKED |
|------|-------------|------------|---------|
| A    | NEW RELEASE | 04.15.2014 | NICOLE  |



|                 |         |
|-----------------|---------|
| UNIT:           | MM      |
| TOLERANCE TABLE |         |
| X.              | = ±0.30 |
| X.X             | = ±0.20 |
| X.XX            | = ±0.10 |
| ANGLE           | = ±1°   |

|            |                |          |        |       |
|------------|----------------|----------|--------|-------|
| FINISH:    | ANTI-OXIDATION |          |        |       |
| MATERIAL:  | CU 1100        |          |        |       |
| DATE:      | APPROVED:      | CHECKED: | DRAWN: | REV.: |
| 04.15.2014 | AUDI           | WEN      | NICOLE | A     |
| TITLE:     | P/N :          |          |        |       |
| HEAT SINK  | HC 42.5-06     |          |        |       |

**ENZOTECH**

**HC 42.5-06**