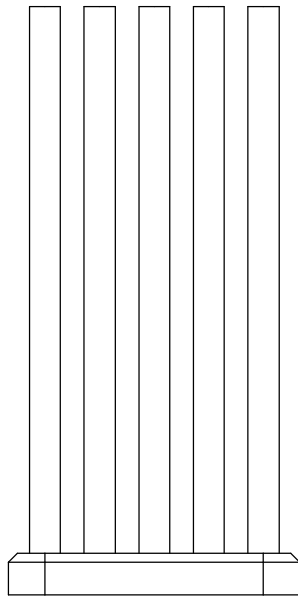
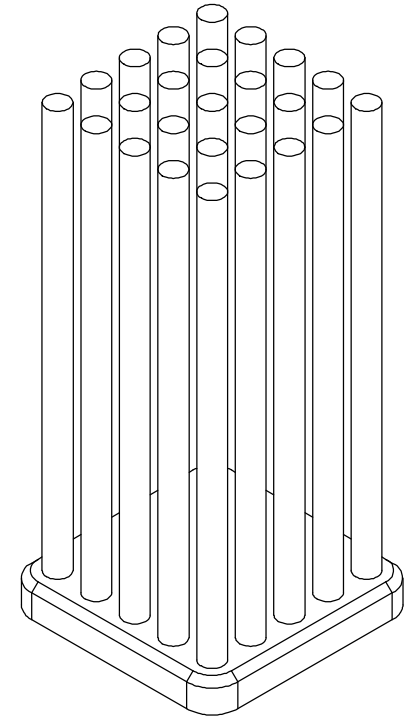
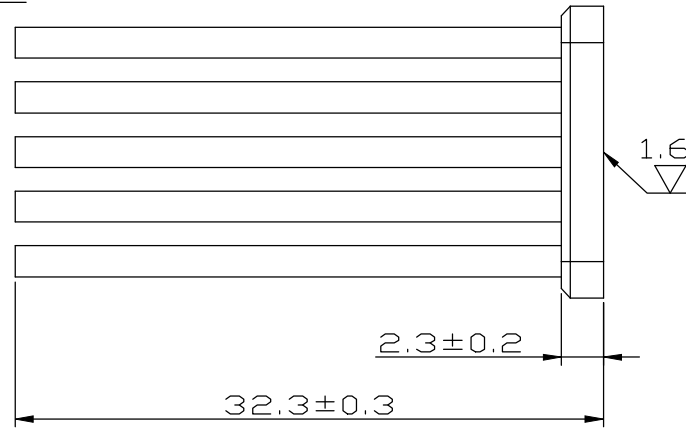
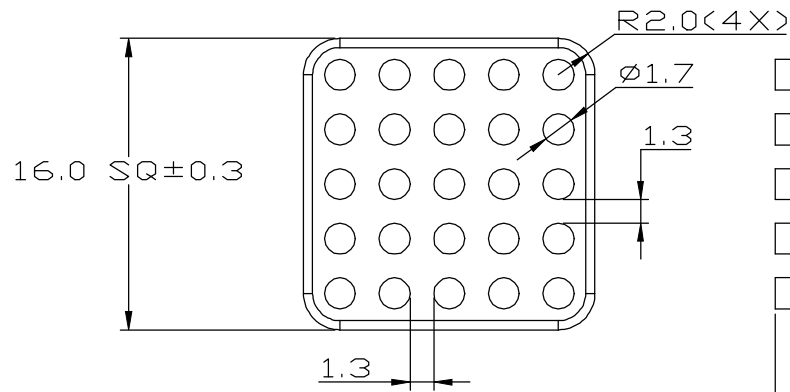


REV.	DESCRIPTION	DATE	CHECKED
A	NEW RELEASE	03.20.2014	LUCY



FINISH: BLACK ANODIZE				ENZOTECH			
MATERIAL: AL 6063							
DATE: 03.20.2014	APPROVED: AUDI	CHECKED: NICOLE	DRAWN: LUCY	REV.: A	P/N : MP 16-32		
TITLE: HEAT SINK							

UNIT:	MM
TOLERANCE TABLE	
X.	±0.30
X.X.	±0.20
X.XX	±0.10
ANGLE	±1°