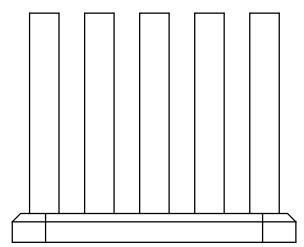
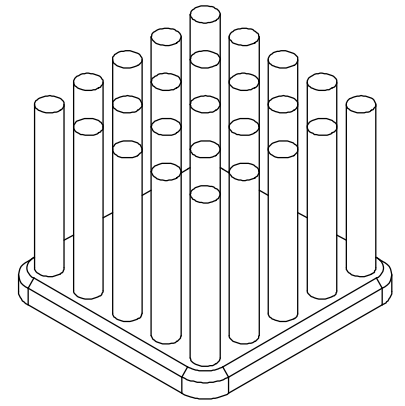
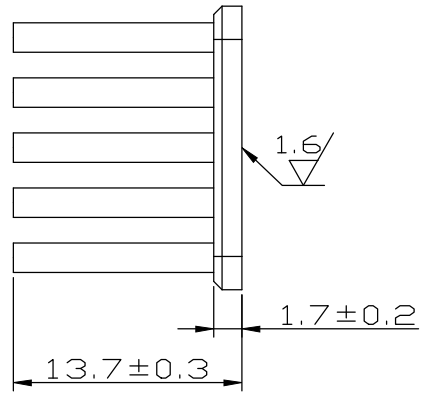
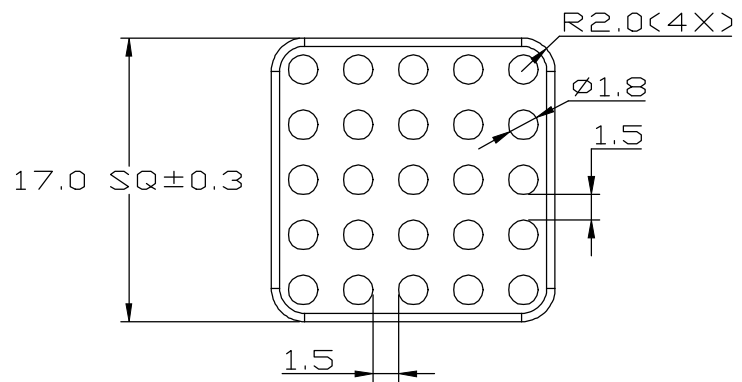


REV.	DESCRIPTION	DATE	CHECKED
A	NEW RELEASE	03.20.2014	LUCY



UNIT:	MM
TOLERANCE TABLE	
X.	±0.30
X.X	±0.20
X.XX	±0.10
ANGLE	±1°

FINISH:		ENZOTECH			
BLACK ANODIZE					
MATERIAL:		APPROVED: CHECKED: DRAWN: REV.:			
AL 6063		AUDI	NICOLE	LUCY	A
DATE:		P/N. :			
03.20.2014		MP 17-14			
TITLE:					
HEAT SINK					