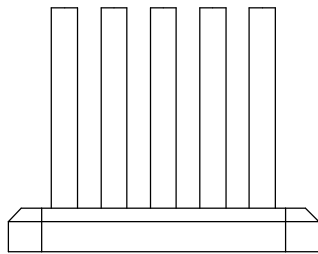
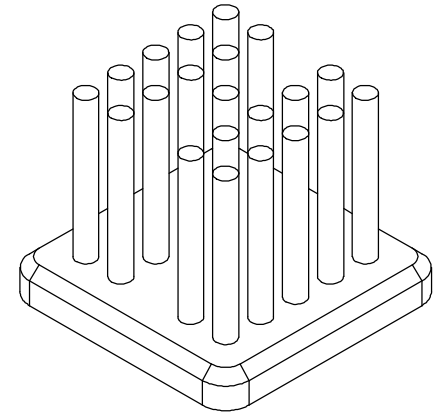
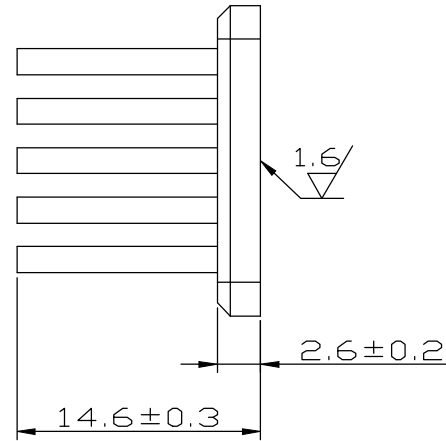
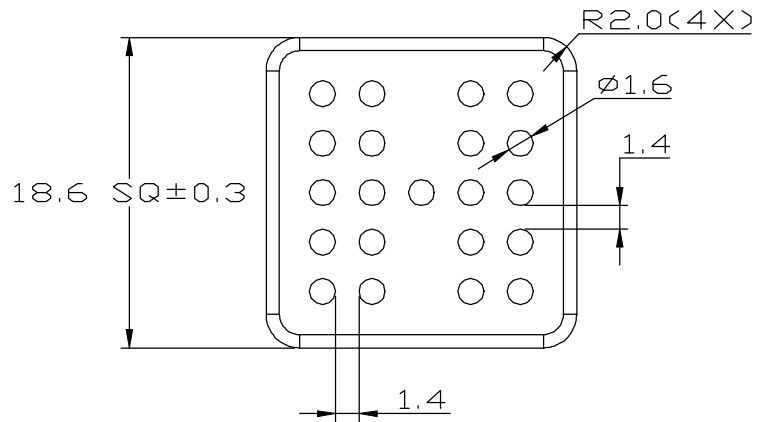


| REV. | DESCRIPTION | DATE | CHECKED |
|------|-------------|------------|---------|
| A | NEW RELEASE | 03.20.2014 | LUCY |



| | |
|-----------------|-------|
| UNIT: | MM |
| TOLERANCE TABLE | |
| X. | ±0.30 |
| X.X | ±0.20 |
| X.XX | ±0.10 |
| ANGLE | ±1° |

| | | | | | |
|--------------------------|-------------------|--------------------|----------------|------------|-------------------------------|
| FINISH: BLACK ANODIZE | | ENZOTECH | | | |
| MATERIAL: AL 6063 | | | | | |
| DATE: 03.20.2014 | APPROVED: AUDI | CHECKED: NICOLE | DRAWN: LUCY | REV.: A | P/N. : MP 19-15 |
| TITLE: HEAT SINK | | | | | |