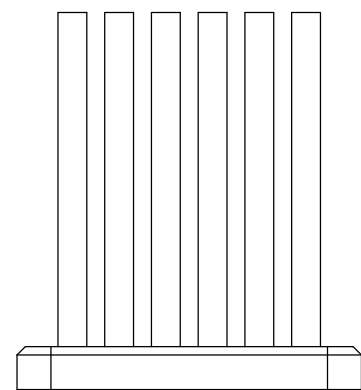
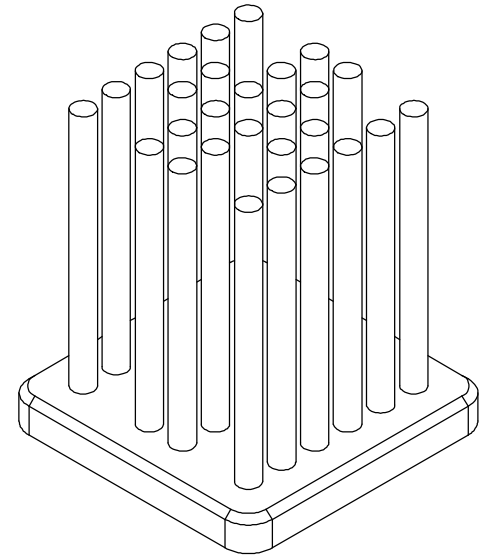
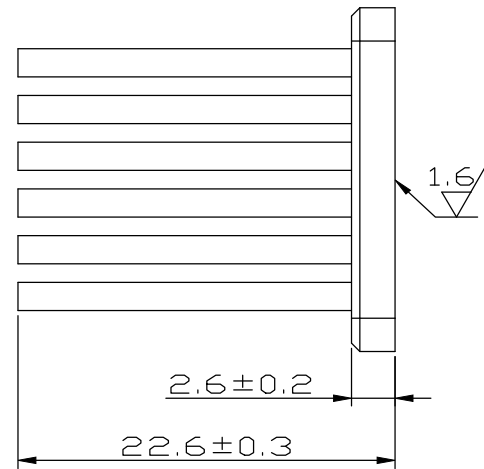
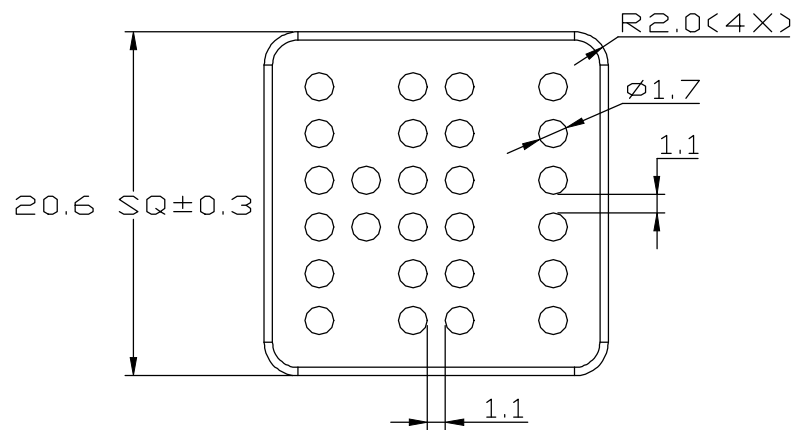


REV.	DESCRIPTION	DATE	CHECKED
A	NEW RELEASE	03.20.2014	LUCY



UNIT:	MM
TOLERANCE TABLE	
X.	$\pm 0.30$
X.X	$\pm 0.20$
X.XX	$\pm 0.10$
ANGLE	$\pm 1^\circ$

FINISH:		<b>ENZOTECH</b>			
BLACK ANODIZE					
MATERIAL:		APPROVED:    CHECKED:    DRAWN:    REV.:			
AL 6063		AUDI	NICOLE	LUCY	A
DATE:		P/N. :			
03.20.2014		<b>MP 21-23</b>			
TITLE:					
HEAT SINK					