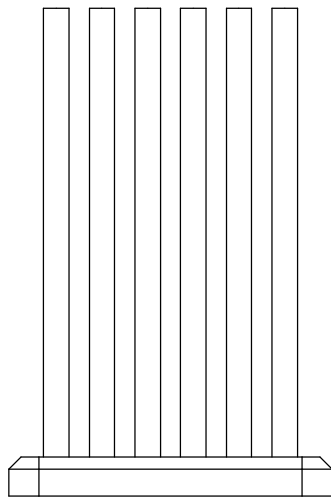
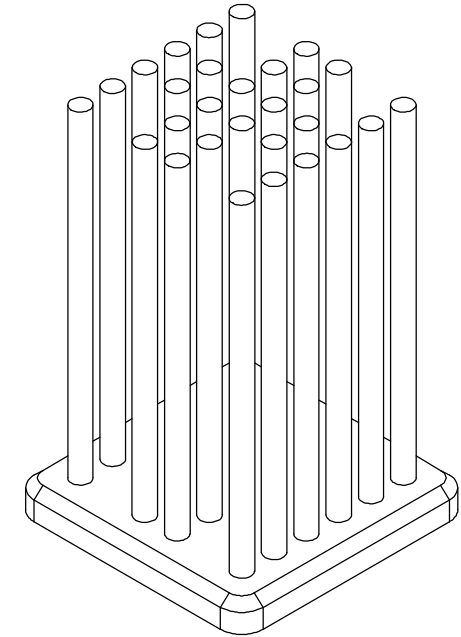
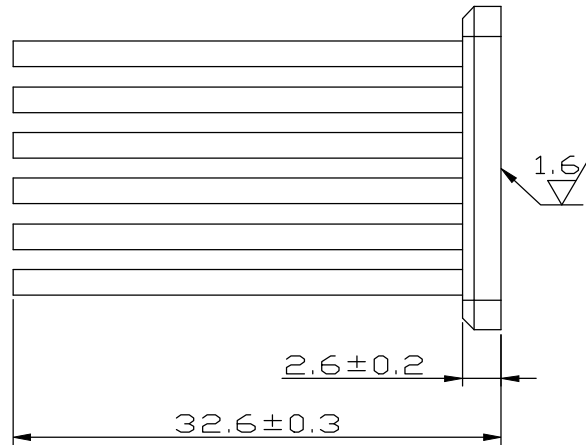
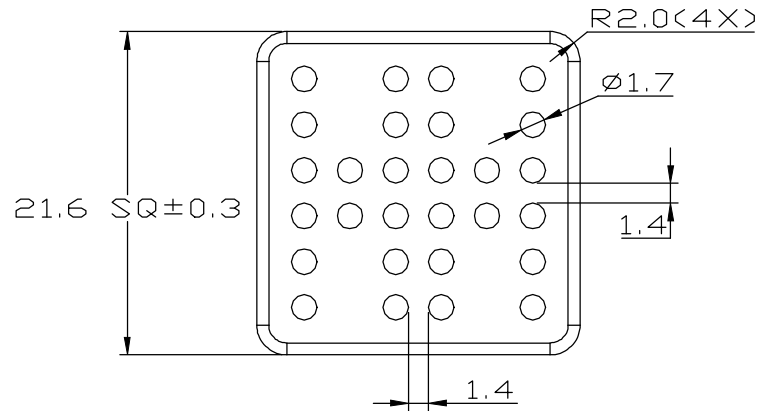


REV.	DESCRIPTION	DATE	CHECKED
A	NEW RELEASE	03.20.2014	LUCY



UNIT:	MM
<b>TOLERANCE TABLE</b>	
X.	±0.30
X.X	±0.20
X.XX	±0.10
ANGLE	±1°

FINISH:	BLACK ANODIZE			
MATERIAL:	AL 6063			
DATE:	03.20.2014	APPROVED:	AUDI	REV.: A
TITLE:	HEAT SINK		CHECKED:	NICOLE
		DRAWN:	LUCY	
		P/N :	MP 22-33	

A  
B  
C  
D  
E  
F

A  
B  
C  
D  
E  
F

1 2 3 4 5 6 7 8 9 10

1 2 3 4 5 6 7 8 9 10

A2