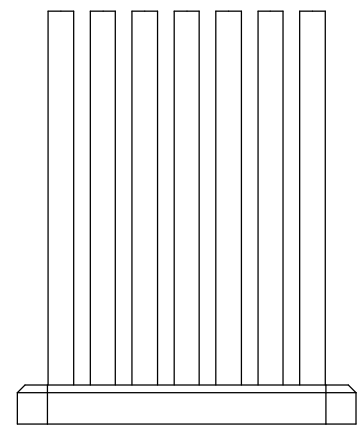
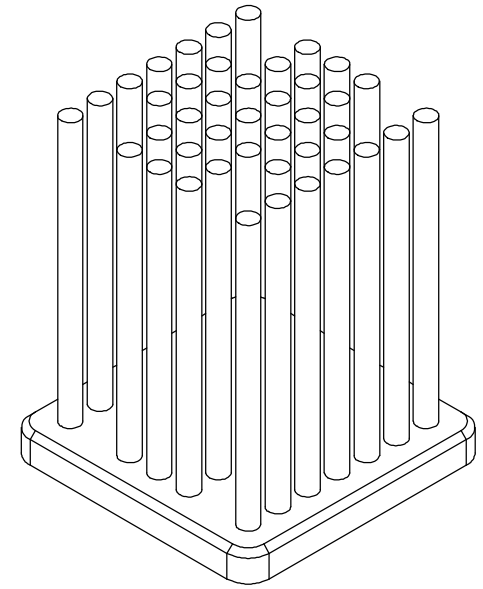
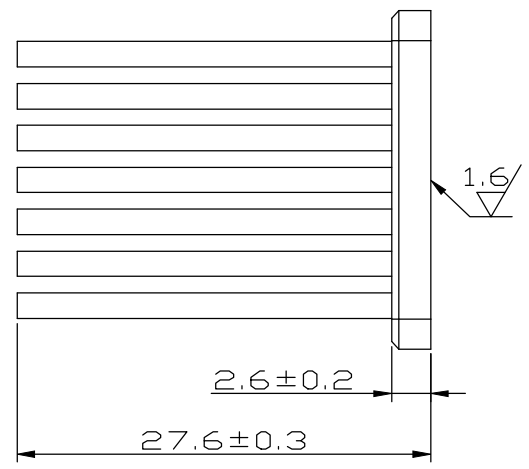
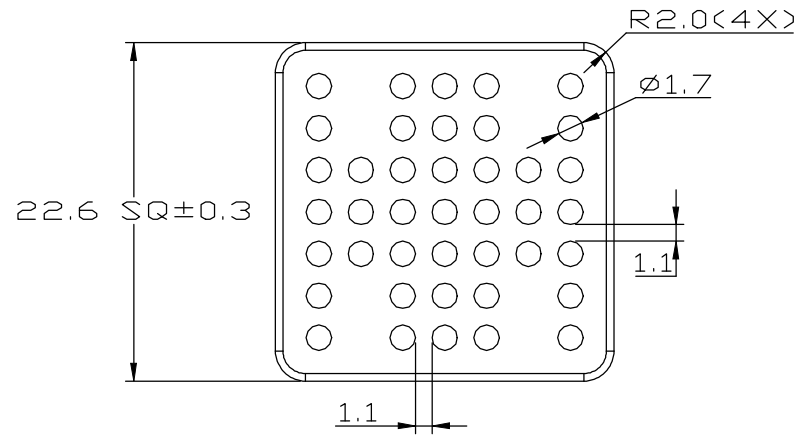


| REV. | DESCRIPTION | DATE | CHECKED |
|------|-------------|------------|---------|
| A | NEW RELEASE | 03.20.2014 | LUCY |



| | |
|-----------------|-------|
| UNIT: | MM |
| TOLERANCE TABLE | |
| X. | ±0.30 |
| X.X | ±0.20 |
| X.XX | ±0.10 |
| ANGLE | ±1° |

| | | | | |
|------------|---------------|----------|--------|-------|
| FINISH: | BLACK ANODIZE | | | |
| MATERIAL: | AL 6063 | | | |
| DATE: | APPROVED: | CHECKED: | DRAWN: | REV.: |
| 03.20.2014 | AUDI | NICOLE | LUCY | A |
| TITLE: | P/N : | | | |
| HEAT SINK | MP 23-28 | | | |

A
B
C
D
E
F

A
B
C
D
E
F

1 2 3 4 5 6 7 8 9 10

1 2 3 4 5 6 7 8 9 10

A2