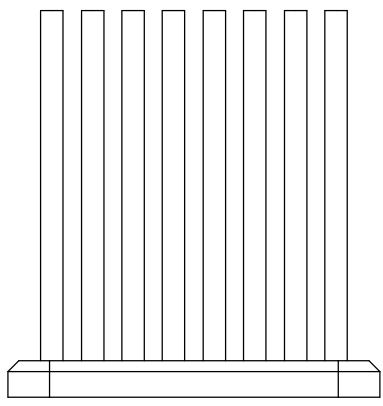
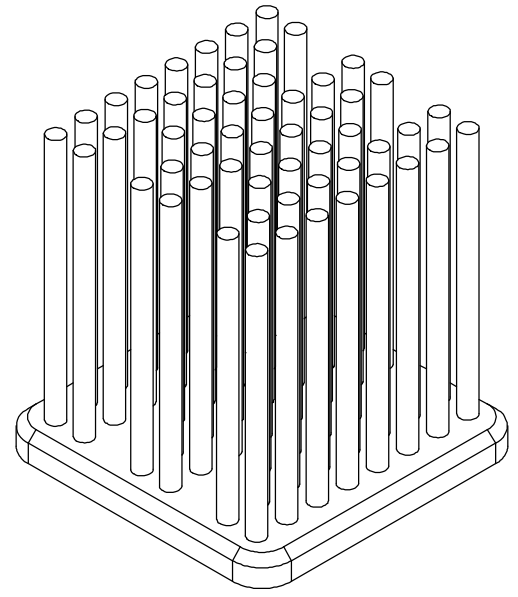
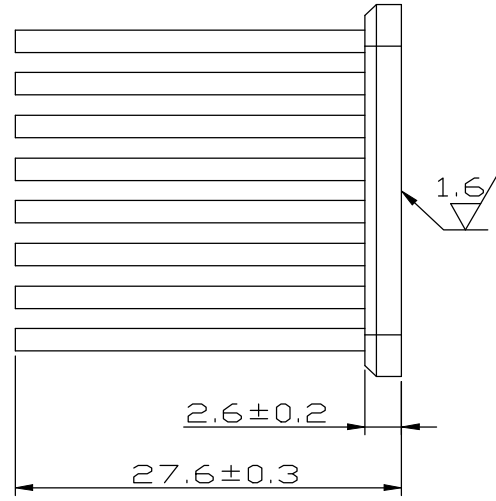
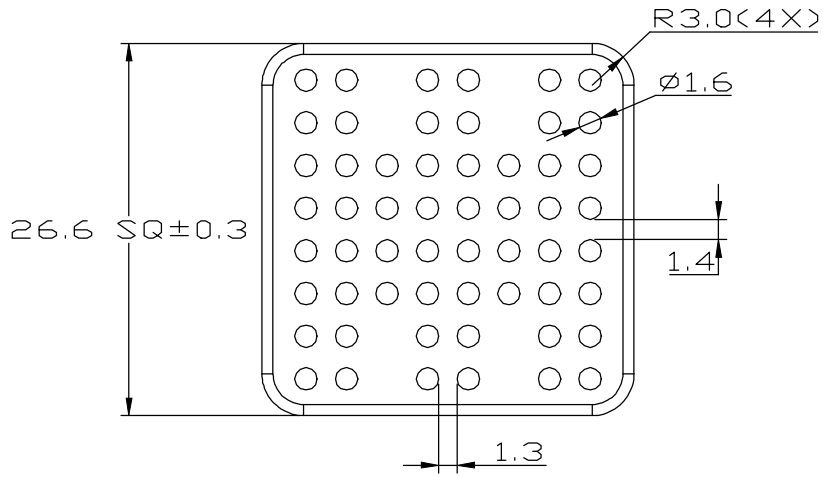


REV.	DESCRIPTION	DATE	CHECKED
A	NEW RELEASE	03.20.2014	LUCY



UNIT:	MM
TOLERANCE TABLE	
X.	= ±0.30
X.X	= ±0.20
X.XX	= ±0.10
ANGLE	= ±1°

FINISH: BLACK ANODIZE				
MATERIAL: AL 6063				
DATE: 03.20.2014				
TITLE: HEAT SINK				
ENZOTECH				
APPROVED: AUDI	CHECKED: NICOLE	DRAWN: LUCY	REV.: A	
P/N. : MP 27-28				