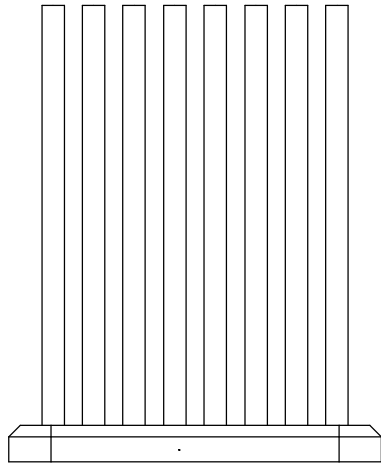
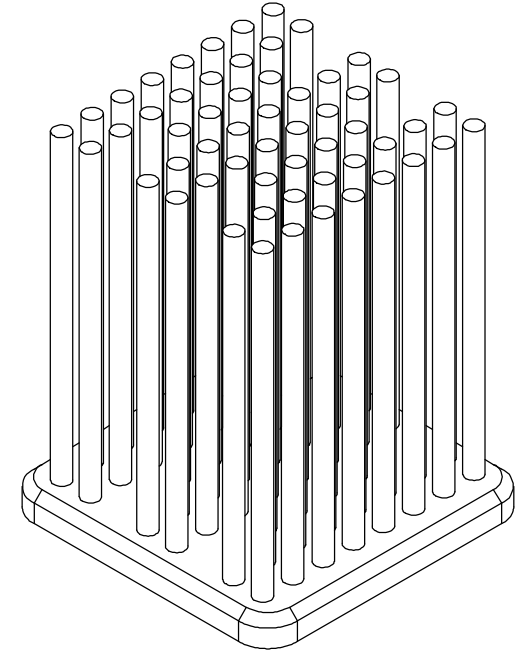
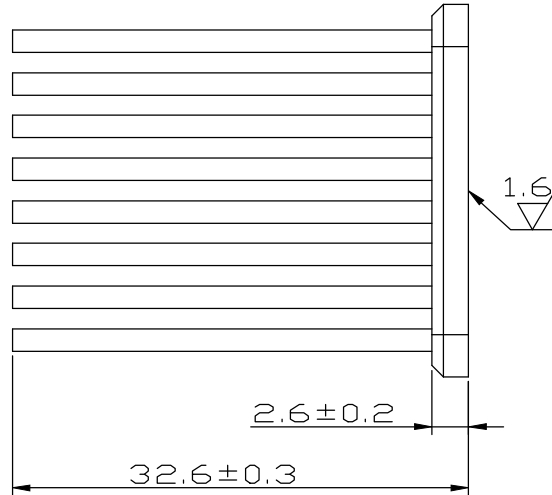
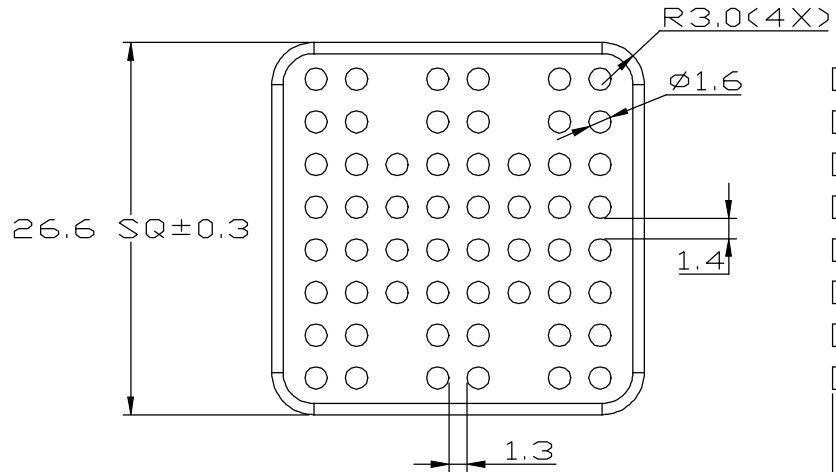


REV.	DESCRIPTION	DATE	CHECKED
A	NEW RELEASE	03.20.2014	LUCY



UNIT:	MM
TOLERANCE TABLE	
X.	= ± 0.30
X.X	= ± 0.20
X.XX	= ± 0.10
ANGLE	= ± 1°

FINISH: BLACK ANODIZE				
ENZOTECH				
MATERIAL: AL 6063				
APPROVED:	CHECKED:	DRAWN:	REV.:	
AUDI	NICOLE	LUCY	A	
DATE: 03.20.2014	P/N. :			
TITLE: HEAT SINK	MP 27-33			