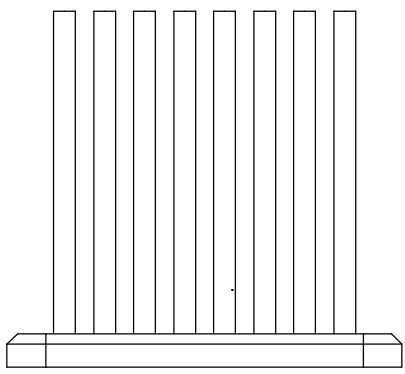
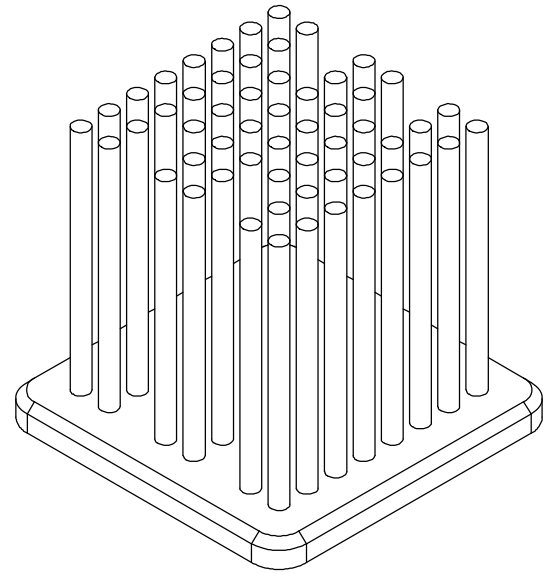
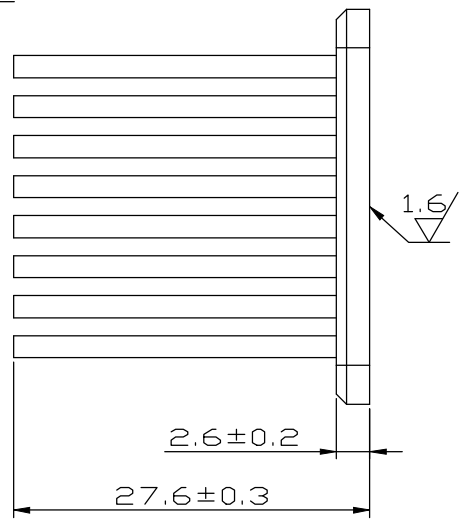
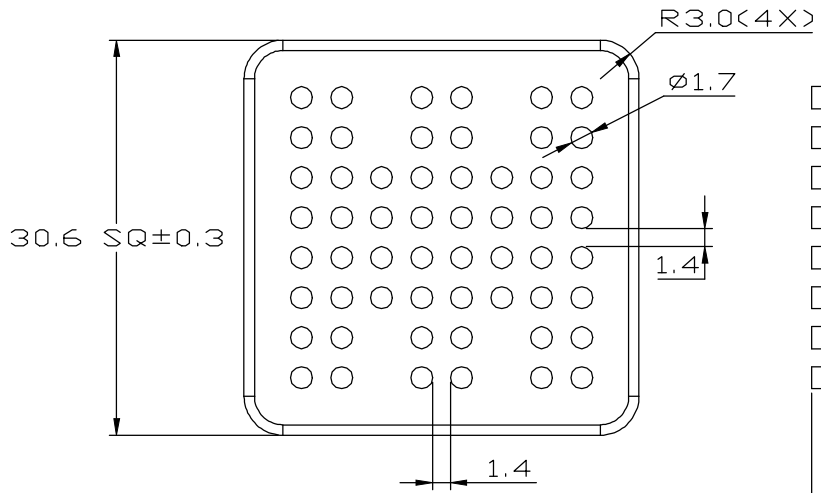


REV.	DESCRIPTION	DATE	CHECKED
A	NEW RELEASE	03.21.2014	LUCY



UNIT:	MM
TOLERANCE TABLE	
X.	=±0.30
X.X	=±0.20
X.XX	=±0.10
ANGLE	=±1°

FINISH: BLACK ANODIZE					
MATERIAL: AL 6063					
DATE: 03.21.2014		APPROVED: AUDI	CHECKED: NICOLE	DRAWN: LUCY	REV.: A
P/N :					
TITLE: HEAT SINK					
ENZOTECH					
MP 31-28					