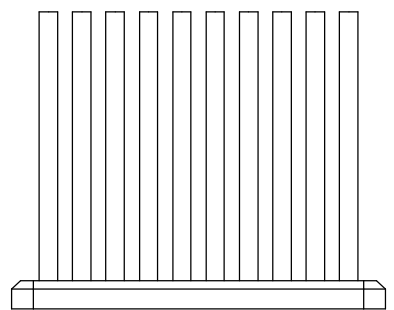
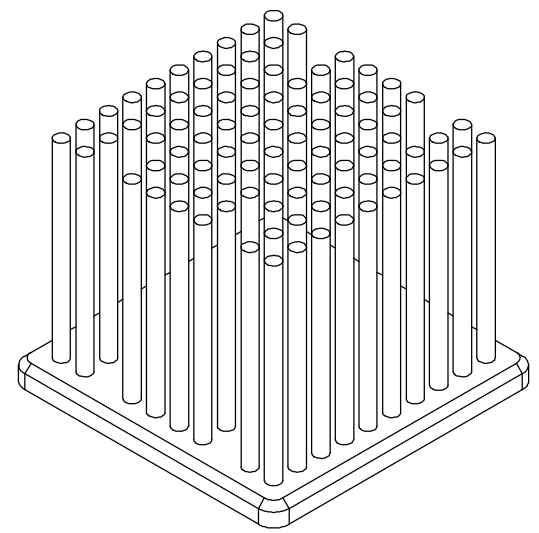
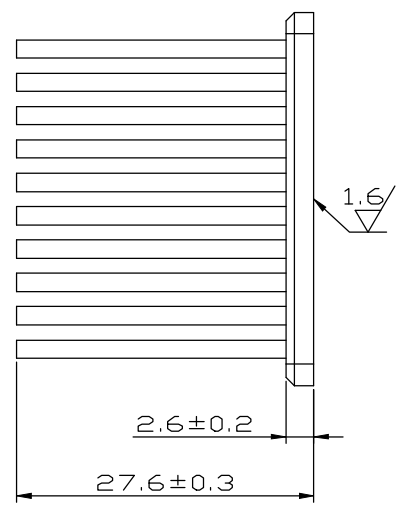
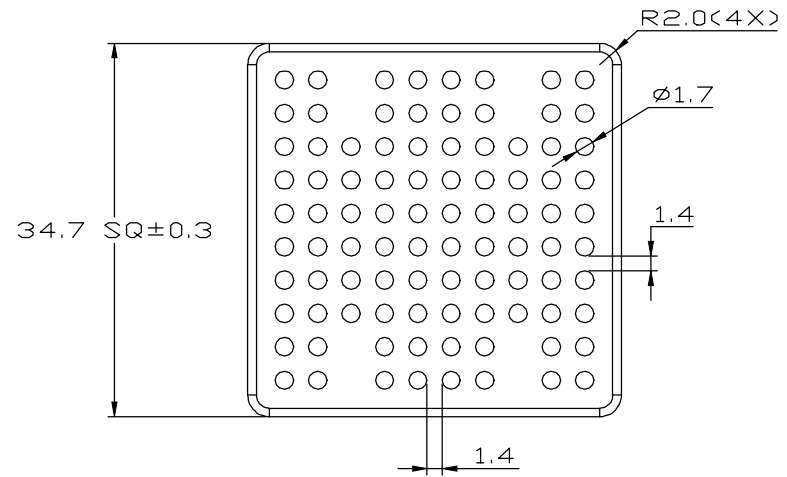


REV.	DESCRIPTION	DATE	CHECKED
A	NEW RELEASE	03.26.2014	LUCY



UNIT:	MM
TOLERANCE TABLE	
X.	=±0.30
X.X	=±0.20
X.XX	=±0.10
ANGLE	=±1°

FINISH:	BLACK ANODIZE			
MATERIAL:	AL 6063			
DATE:	APPROVED:	CHECKED:	DRAWN:	REV.:
03.26.2014	AUDI	NICOLE	LUCY	A
TITLE:	P/N. :			
HEAT SINK	MP 35-28			

