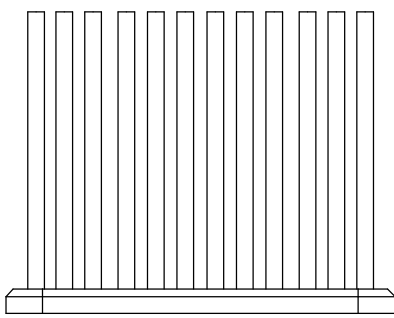
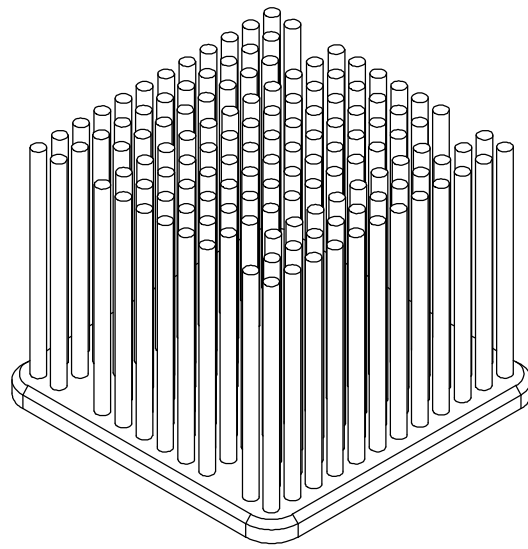
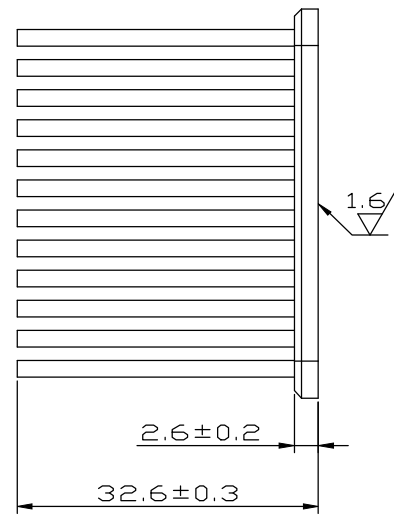
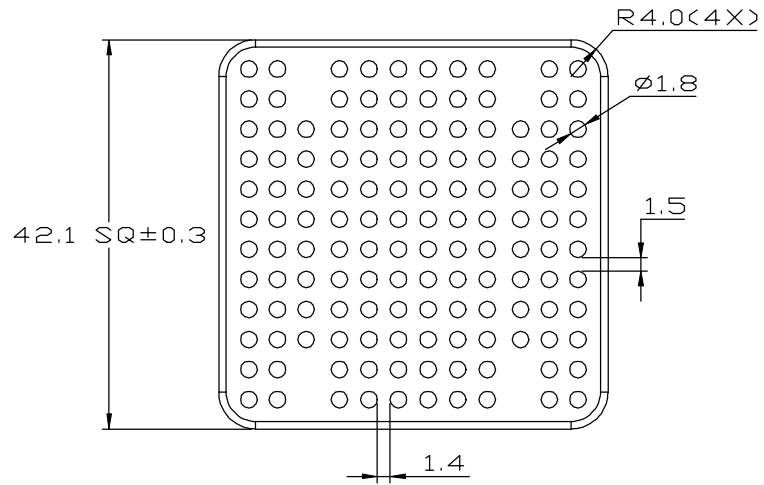


| REV. | DESCRIPTION | DATE       | CHECKED |
|------|-------------|------------|---------|
| A    | NEW RELEASE | 03.26.2014 | LUCY    |



|                 |       |
|-----------------|-------|
| UNIT:           | MM    |
| TOLERANCE TABLE |       |
| X.              | ±0.30 |
| X.X             | ±0.20 |
| X.XX            | ±0.10 |
| ANGLE           | ±1°   |

|            |               |          |        |       |
|------------|---------------|----------|--------|-------|
| FINISH:    | BLACK ANODIZE |          |        |       |
| MATERIAL:  | AL 6063       |          |        |       |
| DATE:      | APPROVED:     | CHECKED: | DRAWN: | REV.: |
| 03.26.2014 | AUDI          | NICOLE   | LUCY   | A     |
| TITLE:     | P/N :         |          |        |       |
| HEAT SINK  | MP 42.5-33    |          |        |       |

**ENZOTECH**