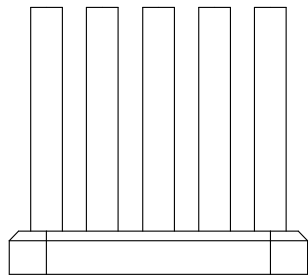
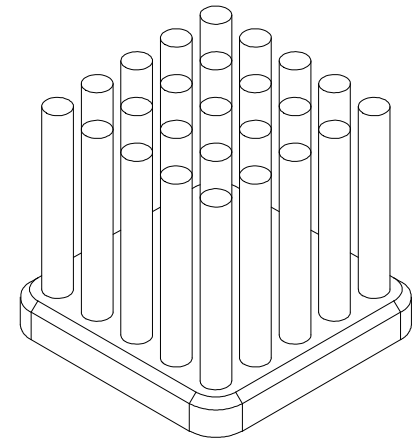
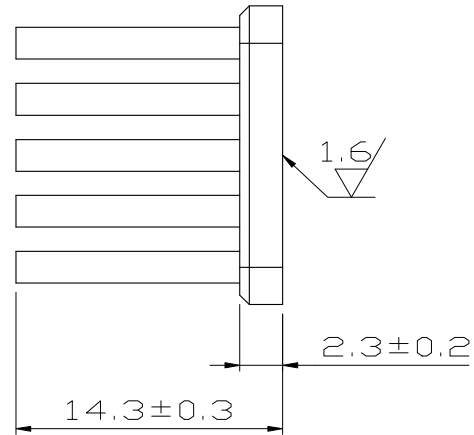
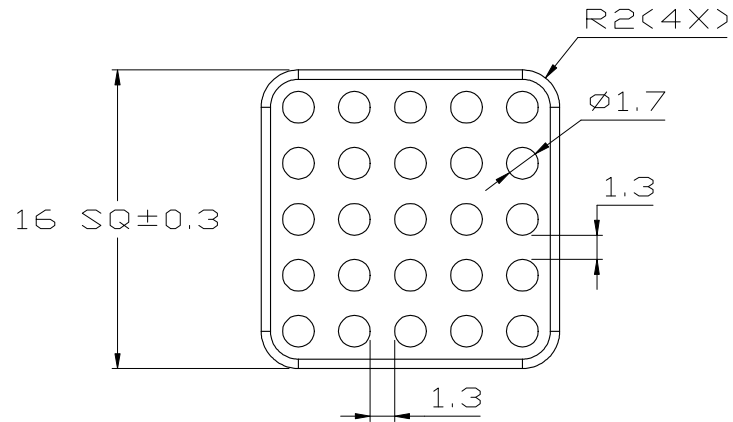


| REV. | DESCRIPTION | DATE       | CHECKED |
|------|-------------|------------|---------|
| A    | NEW RELEASE | 04.19.2014 | NICOLE  |



|                 |        |
|-----------------|--------|
| UNIT:           | MM     |
| TOLERANCE TABLE |        |
| X.              | =±0.30 |
| X.X             | =±0.20 |
| X.XX            | =±0.10 |
| ANGLE           | =±1°   |

|            |                |          |        |       |
|------------|----------------|----------|--------|-------|
| FINISH:    | ANTI-OXIDATION |          |        |       |
| MATERIAL:  | CU 1100        |          |        |       |
| DATE:      | APPROVED:      | CHECKED: | DRAWN: | REV.: |
| 04.19.2014 | AUDI           | WEN      | NICOLE | A     |
| TITLE:     | P/N :          |          |        |       |
| HEAT SINK  | MPC 16-14      |          |        |       |

A  
B  
C  
D  
E  
F

A  
B  
C  
D  
E  
F