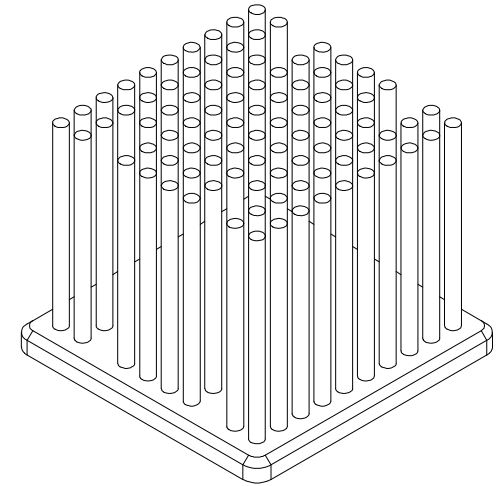
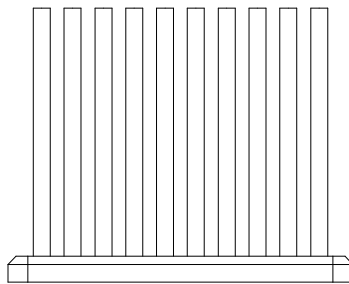
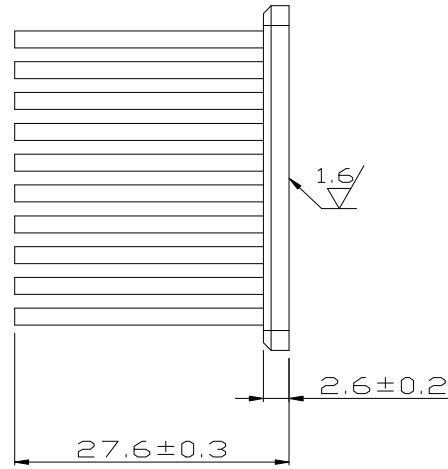
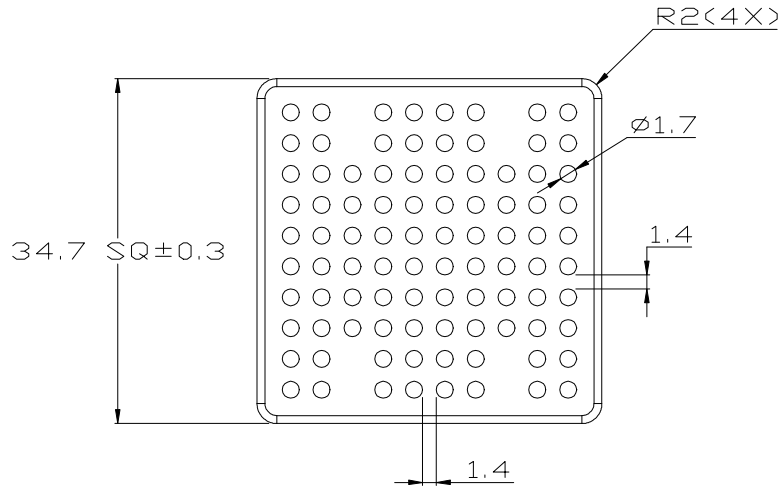


| REV. | DESCRIPTION | DATE       | CHECKED |
|------|-------------|------------|---------|
| A    | NEW RELEASE | 04.19.2014 | NICOLE  |



|                 |               |
|-----------------|---------------|
| UNIT:           | MM            |
| TOLERANCE TABLE |               |
| X.              | $\pm 0.30$    |
| X.X             | $\pm 0.20$    |
| X.XX            | $\pm 0.10$    |
| ANGLE           | $\pm 1^\circ$ |

|            |                |          |        |       |
|------------|----------------|----------|--------|-------|
| FINISH:    | ANTI-OXIDATION |          |        |       |
| MATERIAL:  | CU 1100        |          |        |       |
| DATE:      | APPROVED:      | CHECKED: | DRAWN: | REV.: |
| 04.19.2014 | AUDI           | WEN      | NICOLE | A     |
| TITLE:     | P/N :          |          |        |       |
| HEAT SINK  | MPC 35-28      |          |        |       |