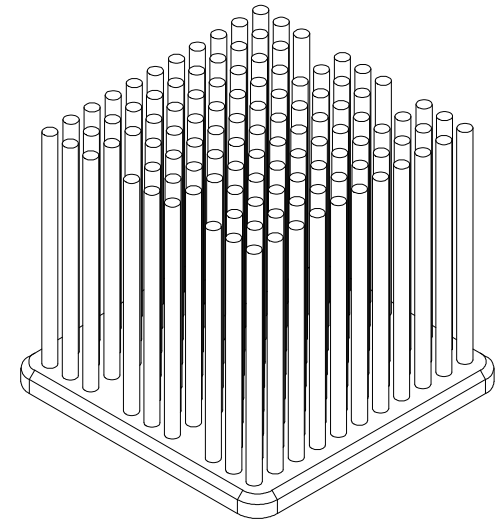
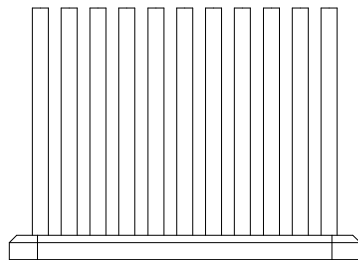
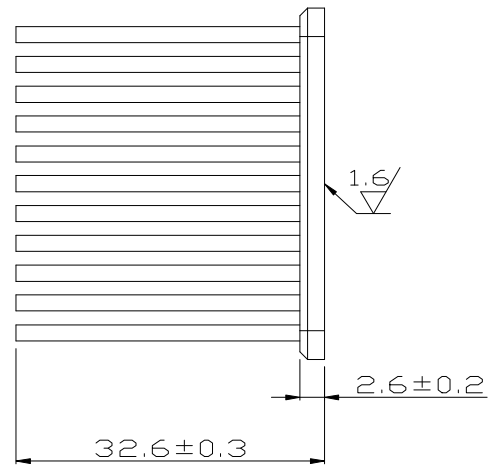
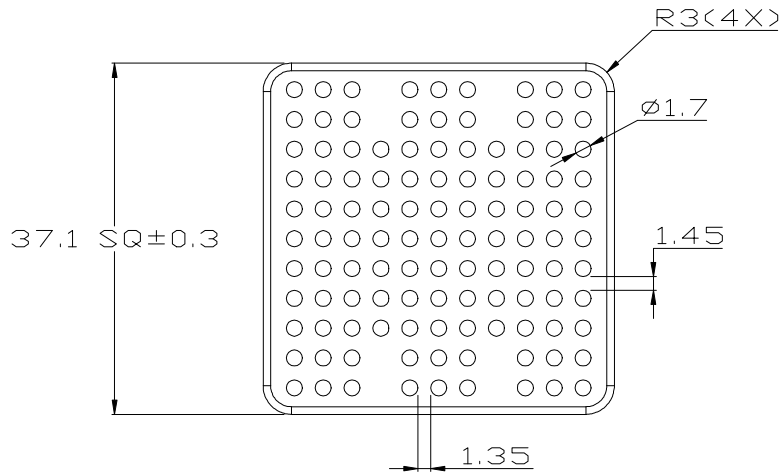


REV.	DESCRIPTION	DATE	CHECKED
A	NEW RELEASE	04.19.2014	NICOLE



UNIT:	MM
TOLERANCE TABLE	
X.	=±0.30
X.X	=±0.20
X.XX	=±0.10
ANGLE	=±1°

FINISH: ANTI-OXIDATION		ENZOTECH			
MATERIAL: CU 1100					
DATE: 04.19.2014	APPROVED: AUDI	CHECKED: WEN	DRAWN: NICOLE	REV.: A	P/N : MPC 37.5-33
TITLE: HEAT SINK					