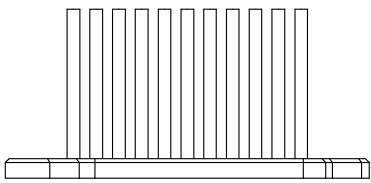
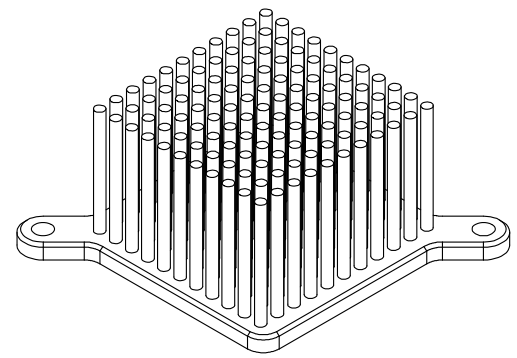
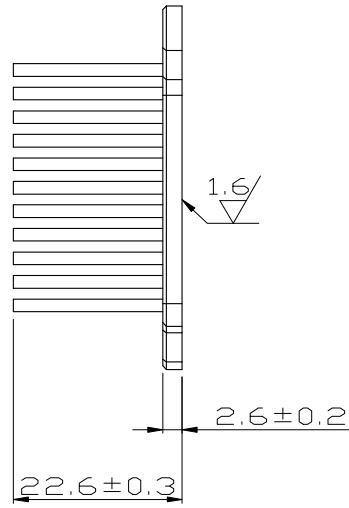
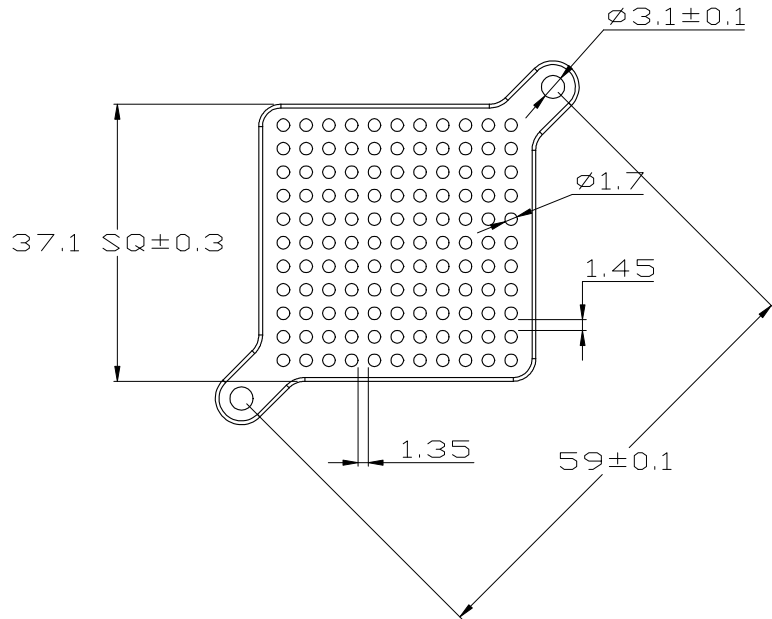


REV.	DESCRIPTION	DATE	CHECKED
A	NEW RELEASE	04.21.2014	NICOLE



UNIT:	MM
TOLERANCE TABLE	
X.	$\pm 0.30$
X.X	$\pm 0.20$
X.XX	$\pm 0.10$
ANGLE	$\pm 1^\circ$

FINISH:	BLACK ANODIZE			
MATERIAL:	AL 6063			
DATE:	APPROVED:	CHECKED:	DRAWN:	REV.:
04.21.2014	AUDI	WEN	NICOLE	A
TITLE:	P/N :			
HEAT SINK	MPW 37.5-23			

**ENZOTECH**

**MPW 37.5-23**