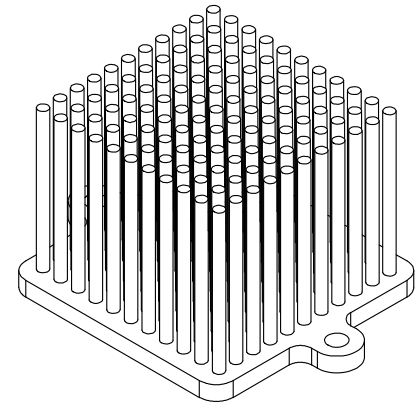
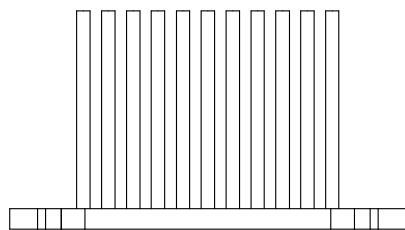
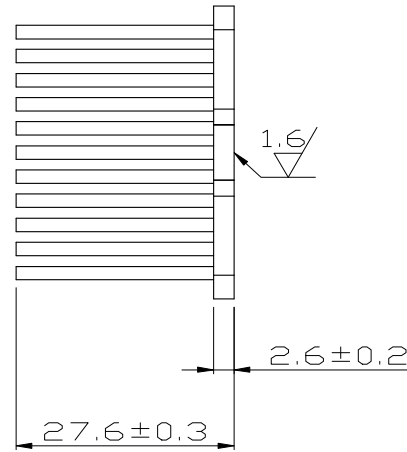
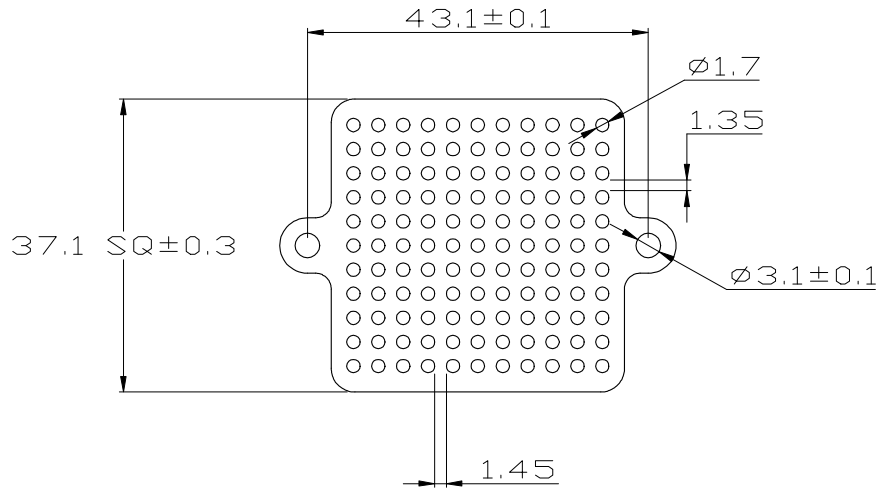


REV.	DESCRIPTION	DATE	CHECKED
A	NEW RELEASE	04.21.2014	NICOLE



UNIT:	MM
TOLERANCE TABLE	
X.	=±0.30
X.X	=±0.20
X.XX	=±0.10
ANGLE	=±1°

FINISH: BLACK ANODIZE	<b>ENZOTECH</b>			
MATERIAL: AL 6063	APPROVED: AUDI	CHECKED: WEN	DRAWN: NICOLE	REV.: A
DATE: 04.21.2014	P/N :			
TITLE: HEAT SINK	<b>MPWM 37.5-28</b>			