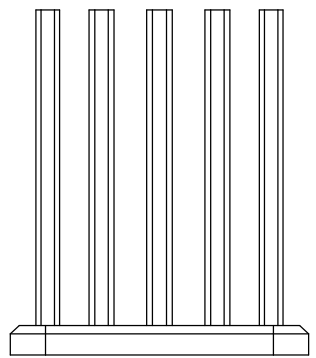
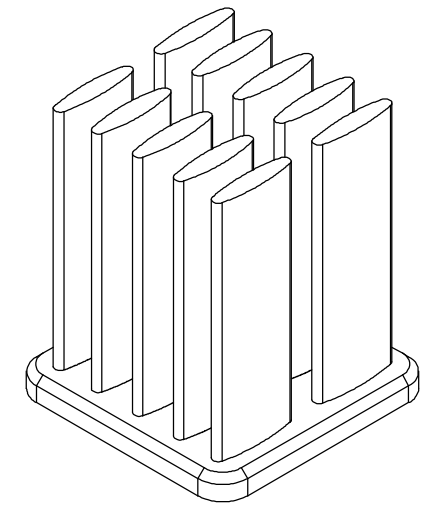
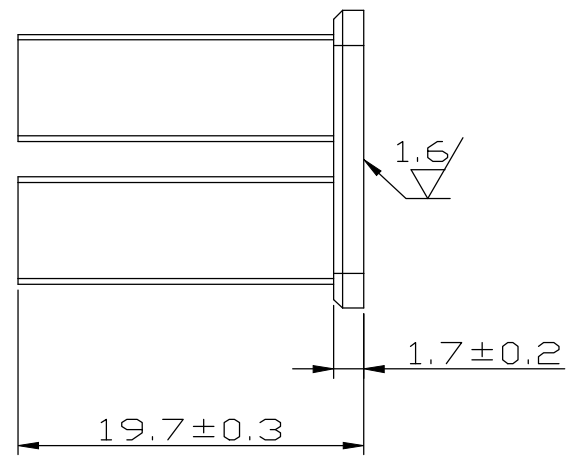
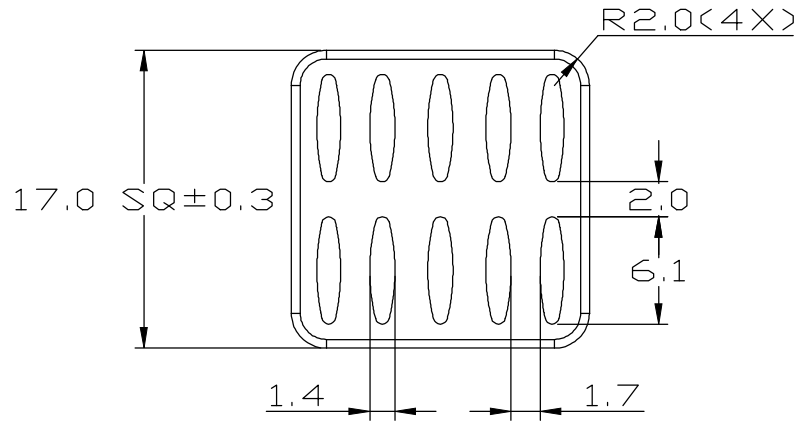


REV.	DESCRIPTION	DATE	CHECKED
A	NEW RELEASE	03.18.2014	LUCY



UNIT:	MM
TOLERANCE TABLE	
X.	±0.30
X.X	±0.20
X.XX	±0.10
ANGLE	±1°

FINISH:		ENZOTECH			
BLACK ANODIZE					
MATERIAL:					
AL 6063		APPROVED:	CHECKED:	DRAWN:	REV.:
DATE:		AUDI	NICOLE	LUCY	A
03.18.2014		P/N :			
TITLE:		MW 17-20			
HEAT SINK					