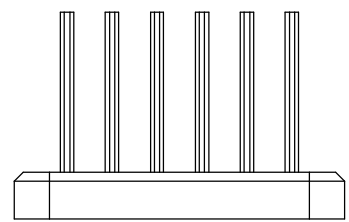
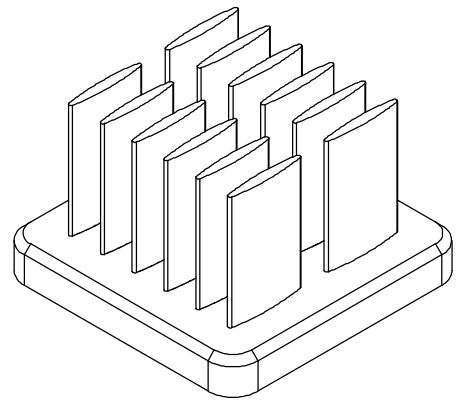
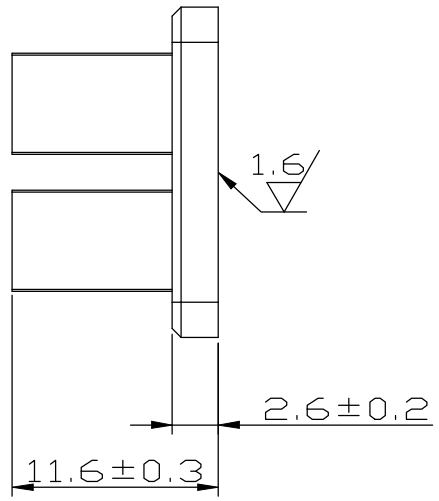
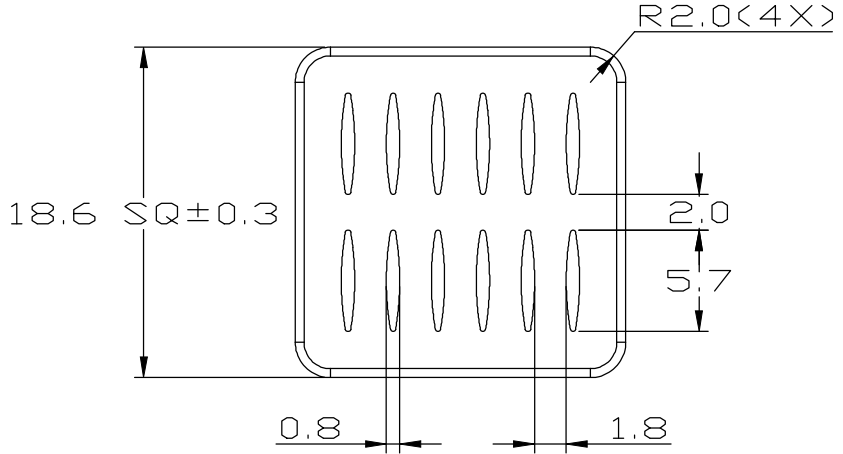


| REV. | DESCRIPTION | DATE       | CHECKED |
|------|-------------|------------|---------|
| A    | NEW RELEASE | 03.18.2014 | LUCY    |



|                 |        |
|-----------------|--------|
| UNIT:           | MM     |
| TOLERANCE TABLE |        |
| X.              | =±0.30 |
| X.X             | =±0.20 |
| X.XX            | =±0.10 |
| ANGLE           | =±1°   |

|               |  |  |        |      |   |
|---------------|--|--|--------|------|---|
| FINISH:       |  | <b>ENZOTECH</b>                          |        |      |   |
| BLACK ANODIZE |  |  |        |      |   |
| MATERIAL:     |  | APPROVED:    CHECKED:    DRAWN:    REV.: |        |      |   |
| AL 6063       |  | AUDI                                     | NICOLE | LUCY | A |
| DATE:         |  | P/N :                                    |        |      |   |
| 03.18.2014    |  | MW 19-12                                 |        |      |   |
| TITLE:        |  | HEAT SINK                                |        |      |   |