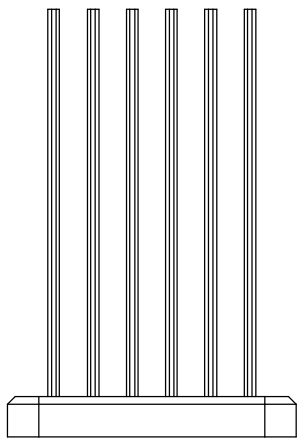
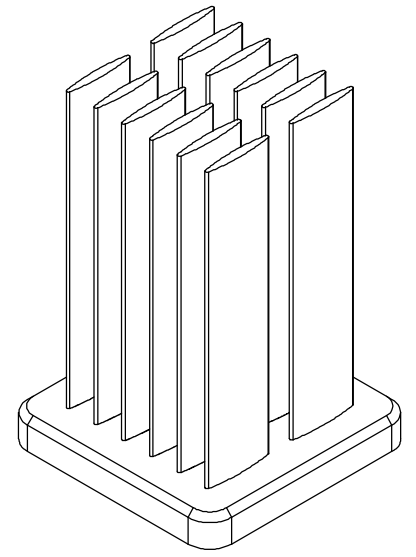
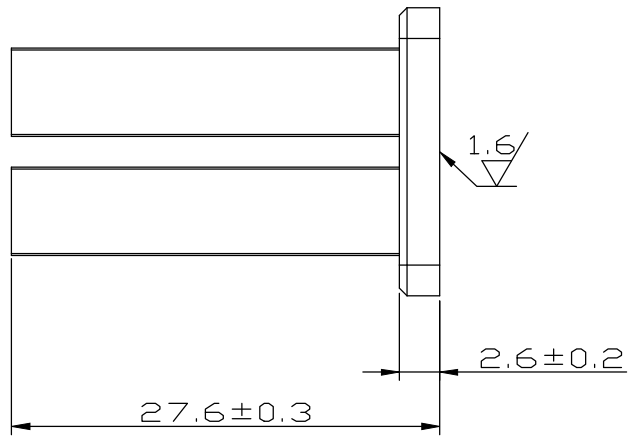
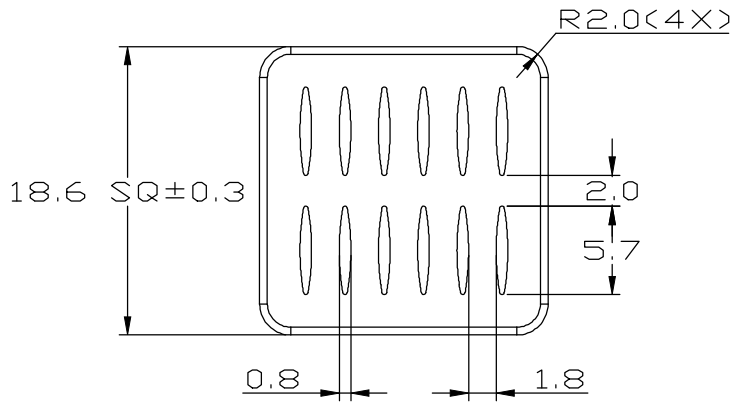


REV.	DESCRIPTION	DATE	CHECKED
A	NEW RELEASE	03.18.2014	LUCY



UNIT:	MM
<b>TOLERANCE TABLE</b>	
X.	=±0.30
X.X	=±0.20
X.XX	=±0.10
ANGLE	=±1°

FINISH:				
BLACK ANODIZE				
<b>ENZOTECH</b>				
MATERIAL:				
AL 6063				
APPROVED:	CHECKED:	DRAWN:	REV.:	
AUDI	NICOLE	LUCY	A	
DATE:	P/N. :			
03.18.2014	MW 19-28			
TITLE:	HEAT SINK			