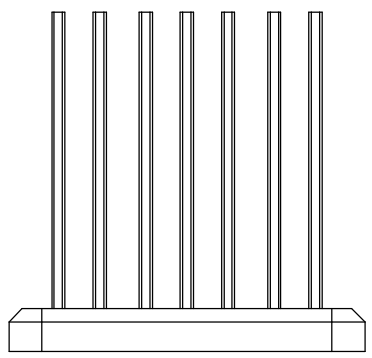
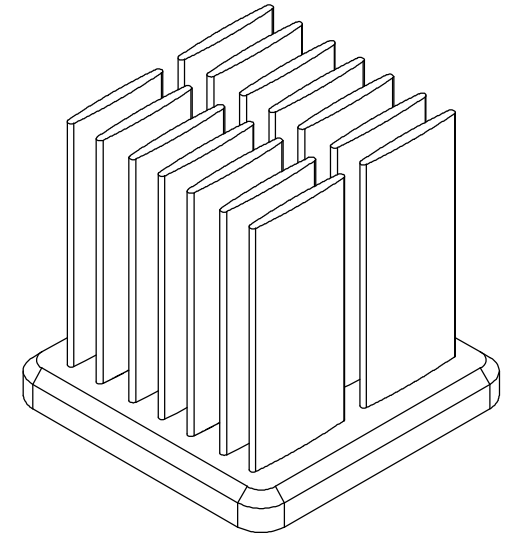
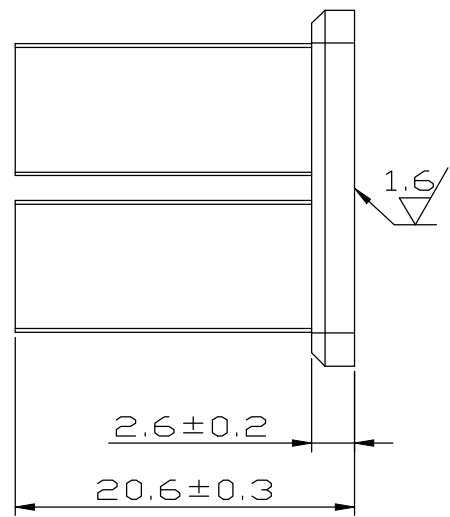
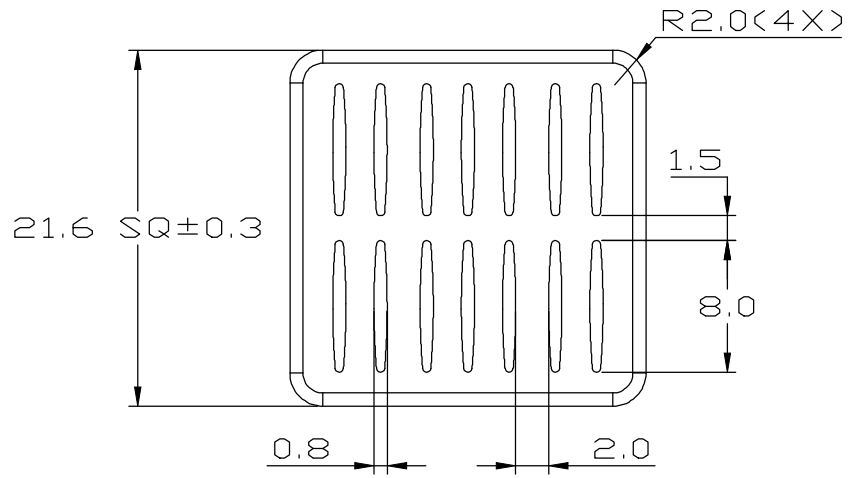


REV.	DESCRIPTION	DATE	CHECKED
A	NEW RELEASE	03.18.2014	LUCY



UNIT:	MM
TOLERANCE TABLE	
X.	±0.30
X.X	±0.20
X.XX	±0.10
ANGLE	±1°

FINISH:	BLACK ANODIZE			
MATERIAL:	AL 6063			
DATE:	03.18.2014	APPROVED:	CHECKED:	DRAWN:
TITLE:	HEAT SINK	AUDI	NICOLE	LUCY
P/N. :		MW 22-21		
		REV.:	A	

ENZOTECH