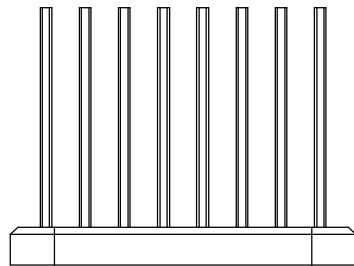
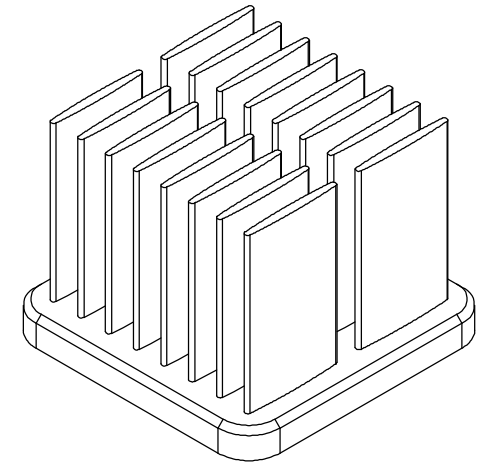
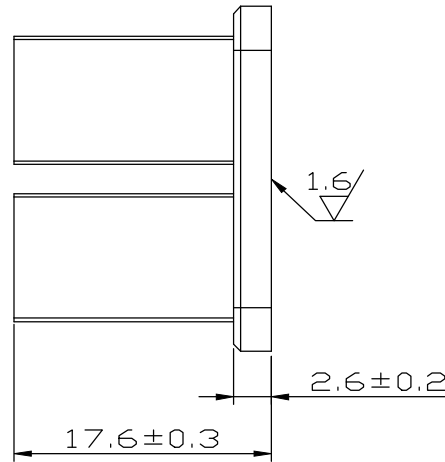
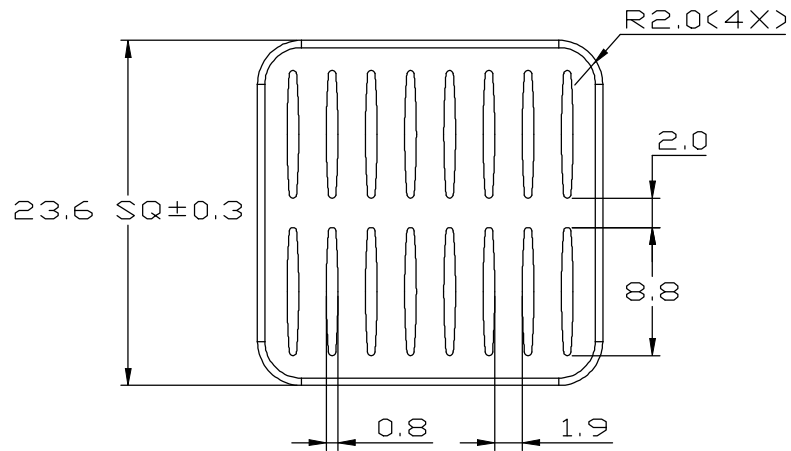


REV.	DESCRIPTION	DATE	CHECKED
A	NEW RELEASE	03.19.2014	LUCY



UNIT:	MM
<b>TOLERANCE TABLE</b>	
X.	=±0.30
X.X	=±0.20
X.XX	=±0.10
ANGLE	=±1°

FINISH: BLACK ANODIZE		<b>ENZOTECH</b>			
MATERIAL: AL 6063					
DATE: 03.19.2014	APPROVED: AUDI	CHECKED: NICOLE	DRAWN: LUCY	REV.: A	P/N. :  <b>MW 24-18</b>
TITLE: HEAT SINK					