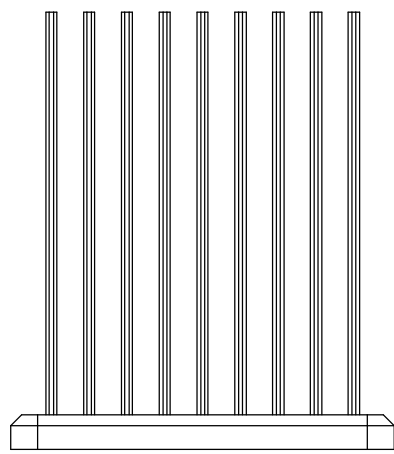
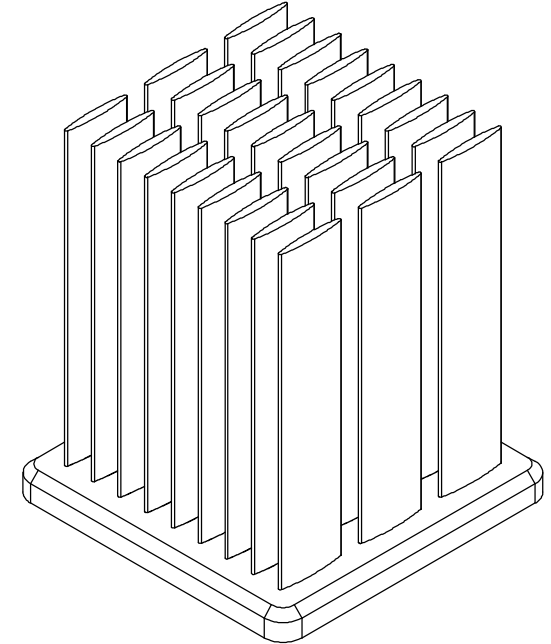
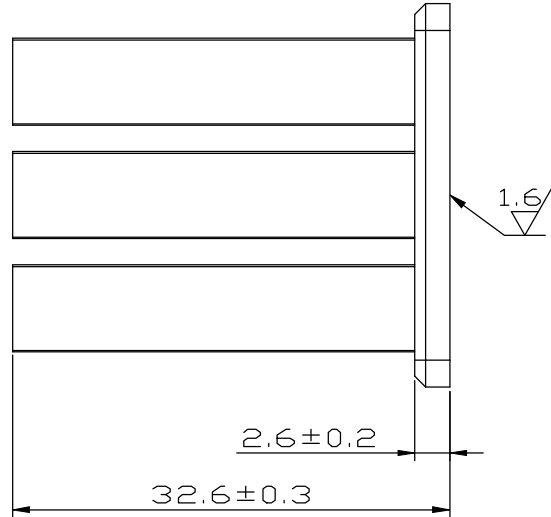
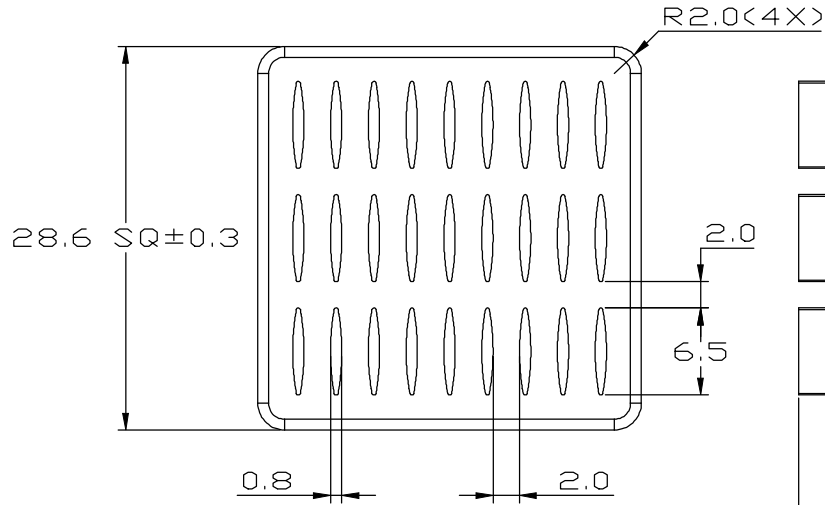


REV.	DESCRIPTION	DATE	CHECKED
A	NEW RELEASE	03.19.2014	LUCY



UNIT:	MM
TOLERANCE TABLE	
X.	=±0.30
X.X	=±0.20
X.XX	=±0.10
ANGLE	=±1°

FINISH:		<b>ENZOTECH</b>			
BLACK ANODIZE					
MATERIAL:		APPROVED:    CHECKED:    DRAWN:    REV.:			
AL 6063		AUDI	NICOLE	LUCY	A
DATE:		P/N. :			
03.19.2014		MW 29-33			
TITLE:		HEAT SINK			