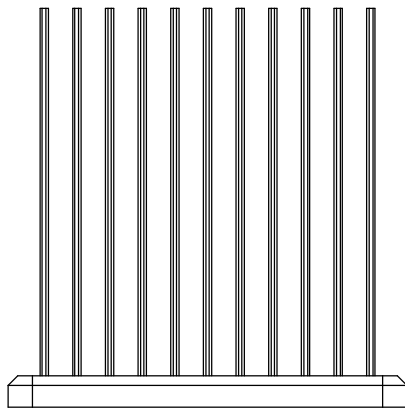
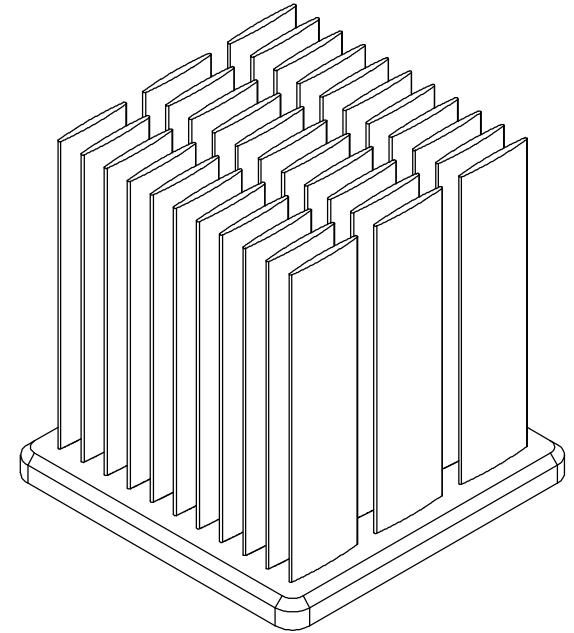
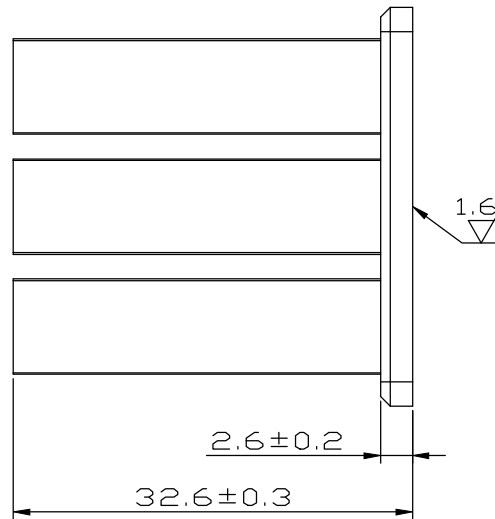
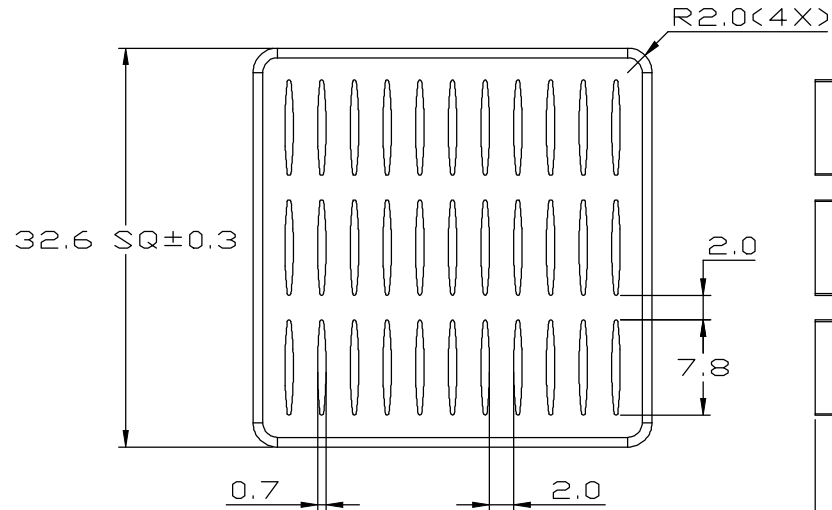


REV.	DESCRIPTION	DATE	CHECKED
A	NEW RELEASE	03.19.2014	LUCY



FINISH: BLACK ANODIZE		<b>ENZOTECH</b>			
MATERIAL: AL 6063		APPROVED: AUDI	CHECKED: NICOLE	DRAWN: LUCY	REV.: A
DATE: 03.19.2014		P/N : MW 33-33			
TITLE: HEAT SINK					

UNIT:	MM
TOLERANCE TABLE	
X.	=±0.30
X.X	=±0.20
X.XX	=±0.10
ANGLE	=±1°