

REV.	DESCRIPTION	DATE	CHECKED
A	NEW RELEASE	03.19.2014	LUCY

A

B

C

D

E

F

A

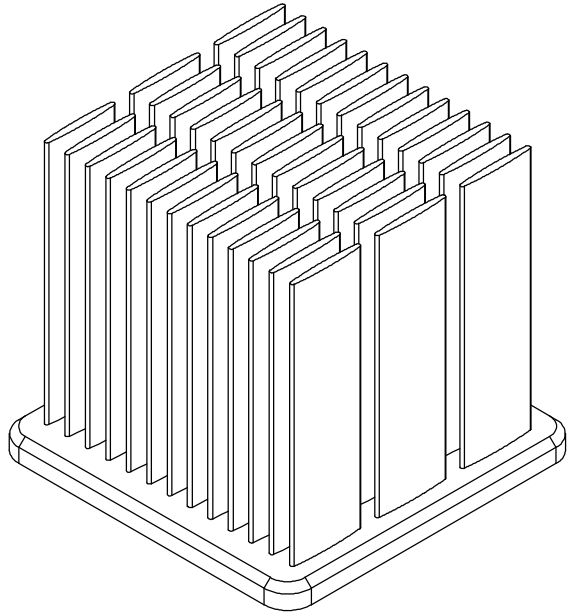
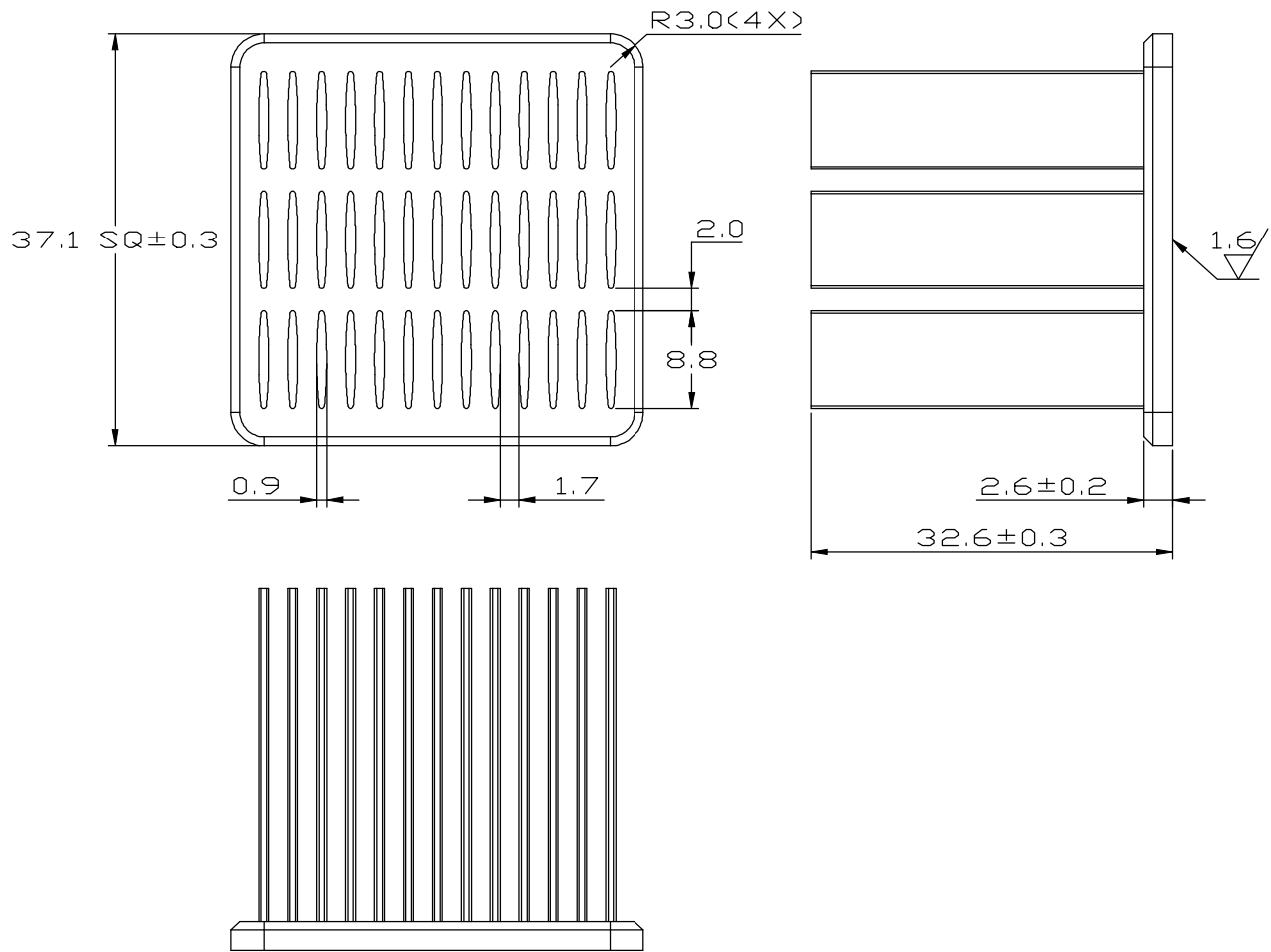
B

C

D

E

F



UNIT:	MM
TOLERANCE TABLE	
X.	±0.30
X.X	±0.20
X.XX	±0.10
ANGLE	±1°

FINISH:				
BLACK ANODIZE				
MATERIAL:				
AL 6063				
DATE:				
03.19.2014				
TITLE:				
HEAT SINK				
APPROVED:		CHECKED:	DRAWN:	REV.:
AUDI		NICOLE	LUCY	A
P/N. :				
MW 37.5-33				