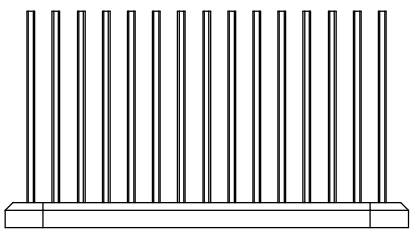
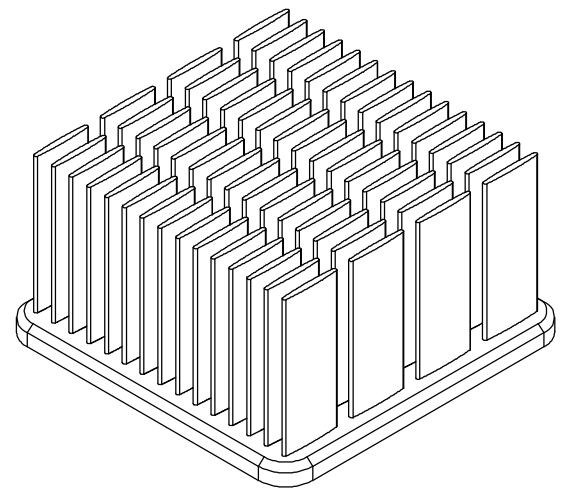
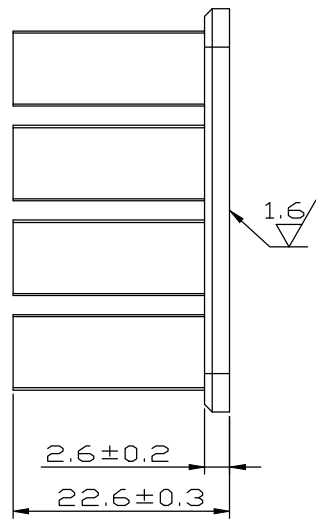
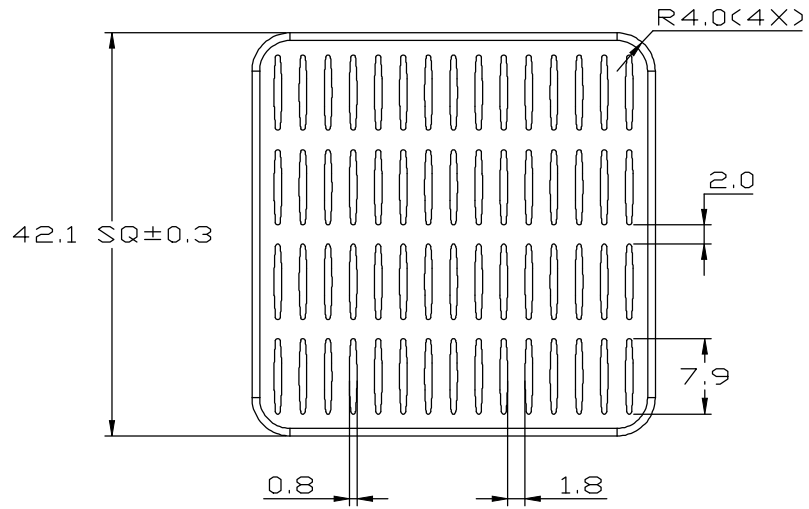


REV.	DESCRIPTION	DATE	CHECKED
A	NEW RELEASE	03.19.2014	LUCY



UNIT:	MM
TOLERANCE TABLE	
X.	=±0.30
X.X	=±0.20
X.XX	=±0.10
ANGLE	=±1°

FINISH:					
BLACK ANODIZE		ENZOTECH			
MATERIAL:					
AL 6063		APPROVED:	CHECKED:	DRAWN:	REV.:
DATE:		AUDI	NICOLE	LUCY	A
03.19.2014		P/N :			
TITLE:		MW 42.5-23			
HEAT SINK					