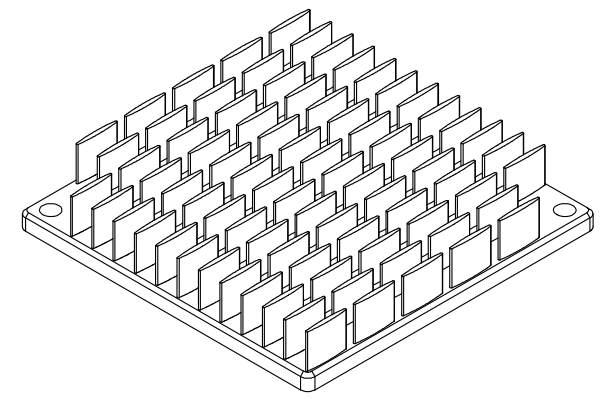
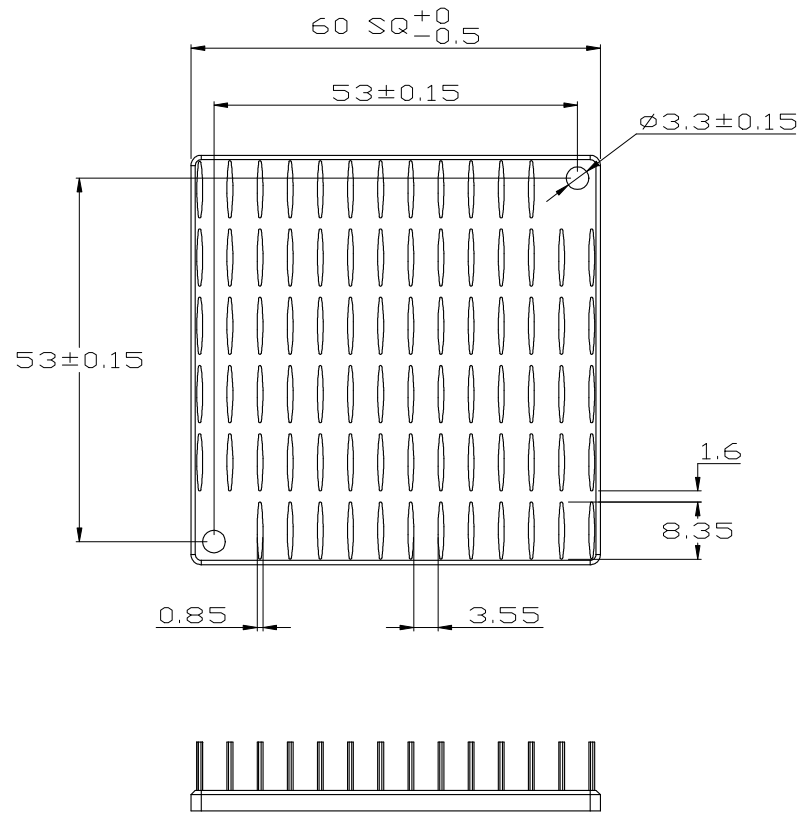


| REV. | DESCRIPTION | DATE       | CHECKED |
|------|-------------|------------|---------|
| A    | NEW RELEASE | 04.21.2014 | NICOLE  |



|                 |        |
|-----------------|--------|
| UNIT:           | MM     |
| TOLERANCE TABLE |        |
| X.              | =±0.30 |
| X.X             | =±0.20 |
| X.XX            | =±0.10 |
| ANGLE           | =±1°   |

|            |               |          |        |       |
|------------|---------------|----------|--------|-------|
| FINISH:    | BLACK ANODIZE |          |        |       |
| MATERIAL:  | AL 6063       |          |        |       |
| DATE:      | APPROVED:     | CHECKED: | DRAWN: | REV.: |
| 04.21.2014 | AUDI          | WEN      | NICOLE | A     |
| TITLE:     | P/N :         |          |        |       |
| HEAT SINK  | MWPL 60-10    |          |        |       |