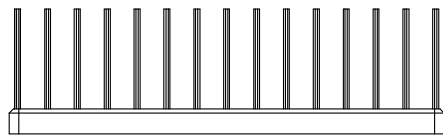
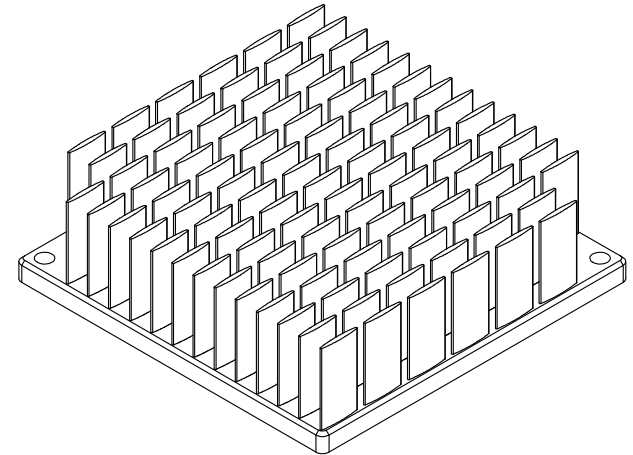
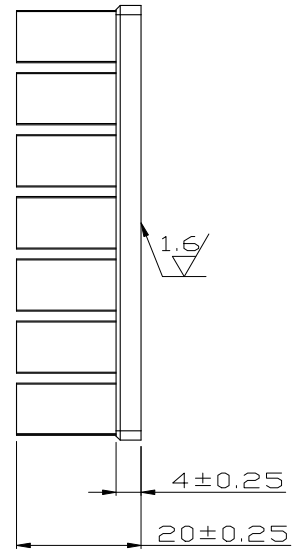
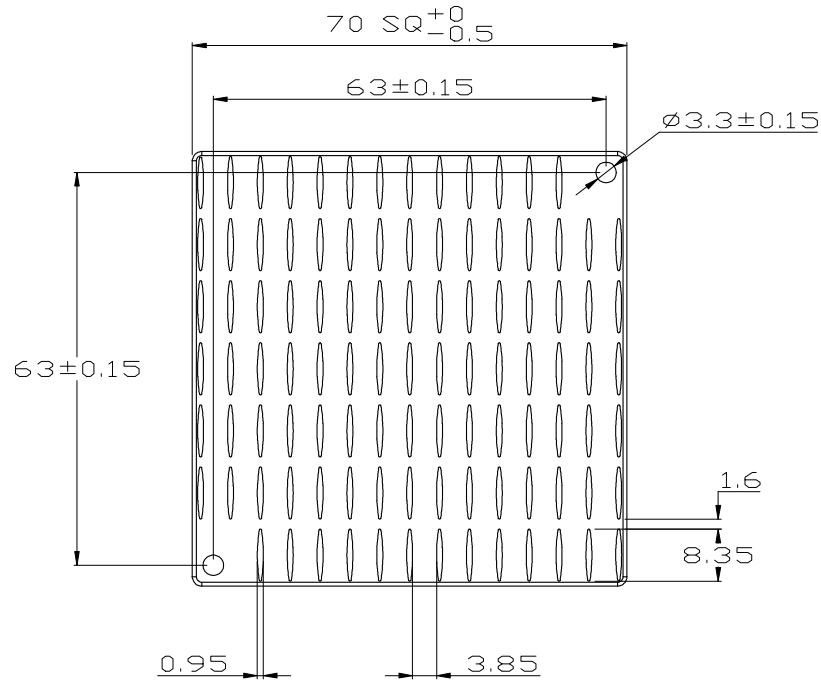


| REV. | DESCRIPTION | DATE | CHECKED |
|------|-------------|------------|---------|
| A | NEW RELEASE | 04.21.2014 | NICOLE |



| | |
|-----------------|----------|
| UNIT: | MM |
| TOLERANCE TABLE | |
| X. | = ± 0.30 |
| X.X | = ± 0.20 |
| X.XX | = ± 0.10 |
| ANGLE | = ± 1° |

| | | | | |
|------------|---------------|----------|--------|-------|
| FINISH: | BLACK ANODIZE | | | |
| MATERIAL: | AL 6063 | | | |
| DATE: | APPROVED: | CHECKED: | DRAWN: | REV.: |
| 04.21.2014 | AUDI | WEN | NICOLE | A |
| TITLE: | P/N : | | | |
| HEAT SINK | MWPL 70-20 | | | |

ENZOTECH