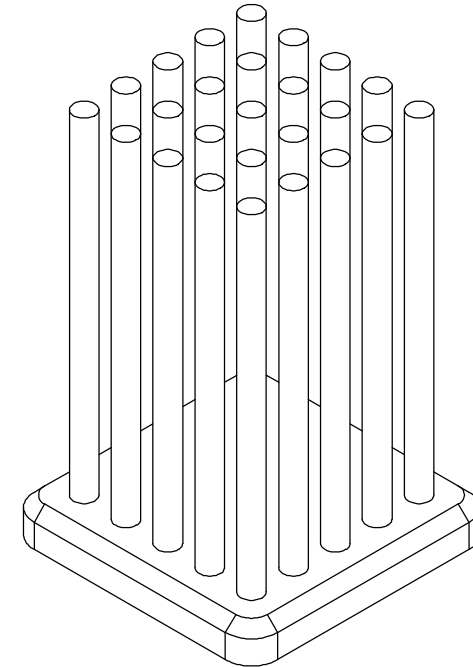
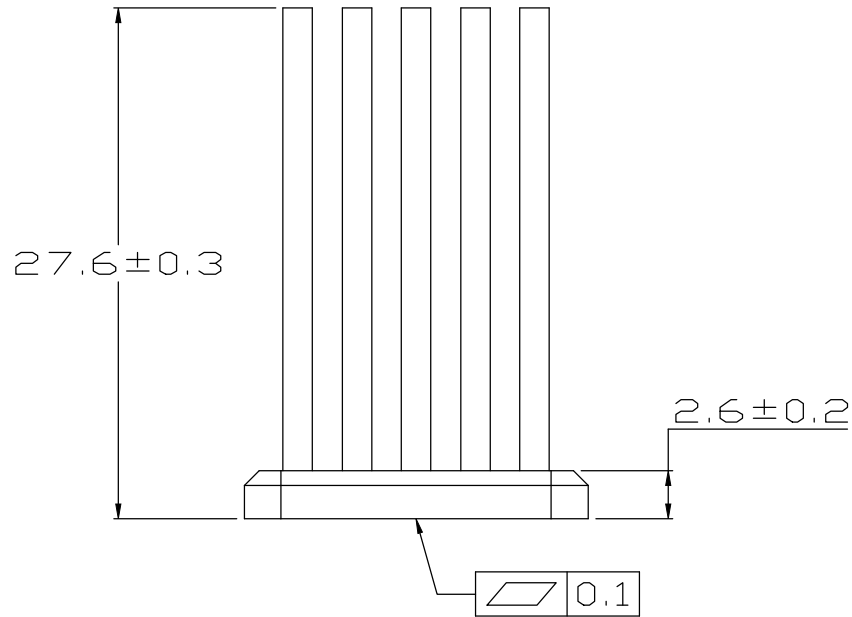
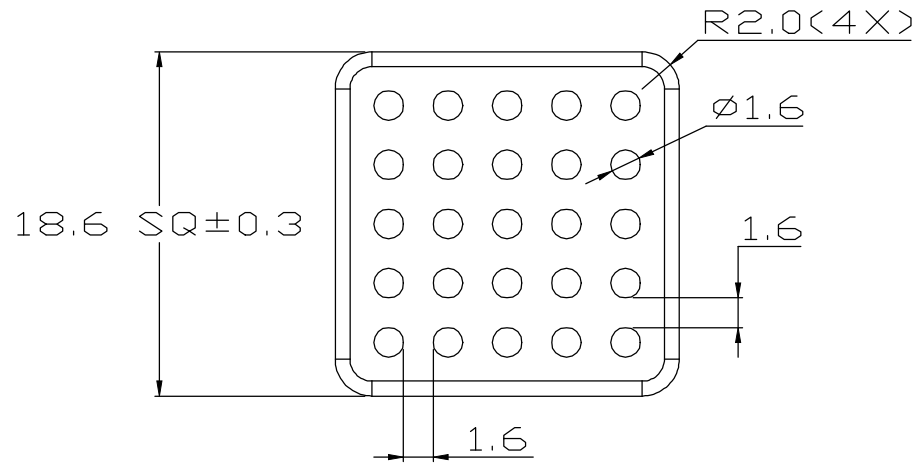


REV.	DESCRIPTION	DATE	CHECKED
A	NEW RELEASE	06.15.2015	LUCY



UNIT:	MM
TOLERANCE TABLE	
X.	$\pm 0.30$
X.X	$\pm 0.20$
X.XX	$\pm 0.10$
ANGLE	$\pm 1^\circ$

FINISH: NATURAL ANODIZE		<b>ENZOTECH</b>			
MATERIAL: AL 6063					
DATE: 06.15.2015	APPROVED: AUDI	CHECKED: WEN	DRAWN: LUCY	REV.: A	P/N. : <b>Uni-H19052-28P/2.6</b>
TITLE: HEAT SINK					