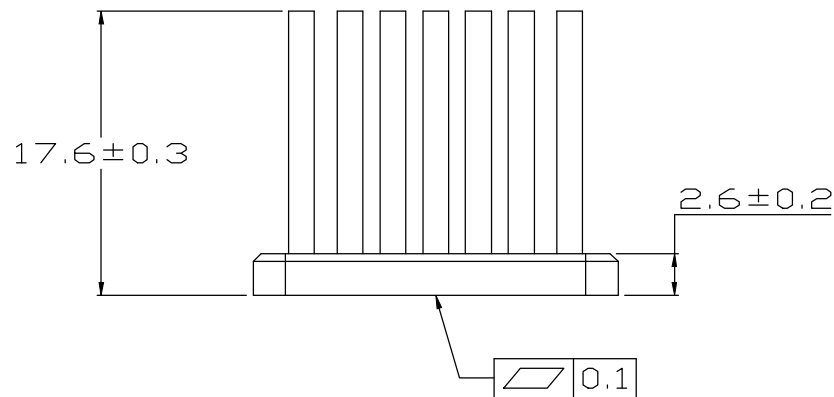
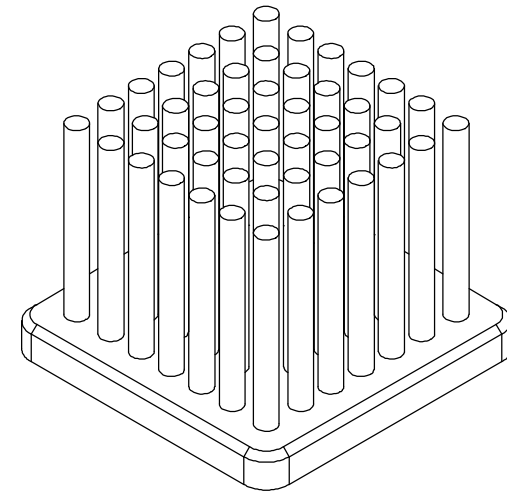
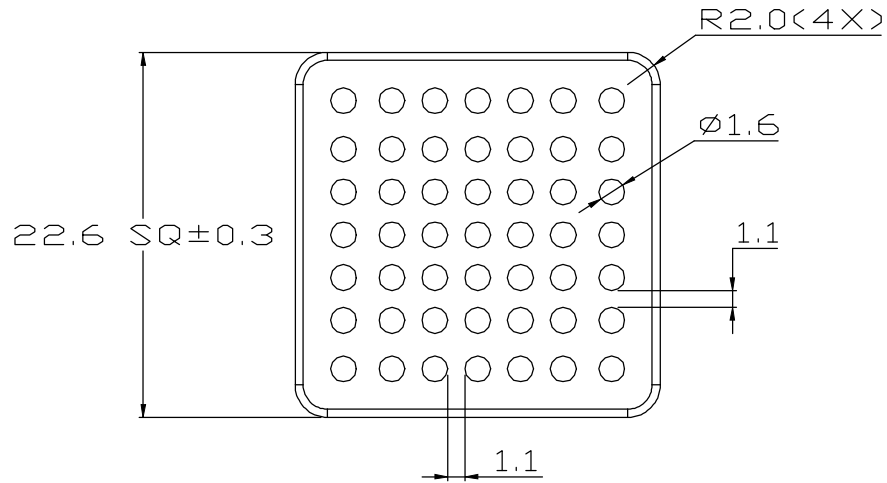


| REV. | DESCRIPTION | DATE       | CHECKED |
|------|-------------|------------|---------|
| A    | NEW RELEASE | 06.16.2015 | LUCY    |



|                        |                 |
|------------------------|-----------------|
| UNIT:                  | MM              |
| <b>TOLERANCE TABLE</b> |                 |
| X.                     | $= \pm 0.30$    |
| X.X                    | $= \pm 0.20$    |
| X.XX                   | $= \pm 0.10$    |
| ANGLE                  | $= \pm 1^\circ$ |

|            |                    |          |        |       |
|------------|--------------------|----------|--------|-------|
| FINISH:    | NATURAL ANODIZE    |          |        |       |
| MATERIAL:  | AL 6063            |          |        |       |
| DATE:      | APPROVED:          | CHECKED: | DRAWN: | REV.: |
| 06.16.2015 | AUDI               | WEN      | LUCY   | A     |
| TITLE:     | P/N.:              |          |        |       |
| HEAT SINK  | Uni-H23052-18P/2.6 |          |        |       |

A  
B  
C  
D  
E  
F

A  
B  
C  
D  
E  
F

1 2 3 4 5 6 7 8 9 10

1 2 3 4 5 6 7 8 9 10

A2