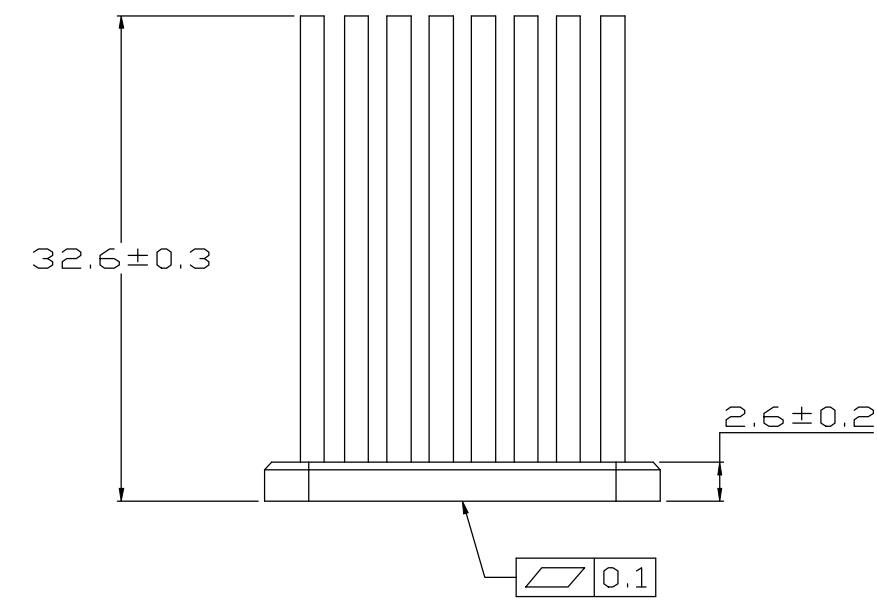
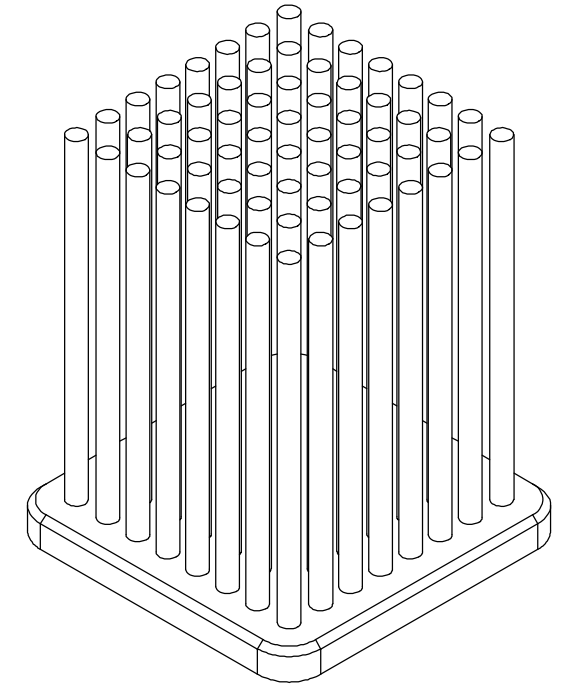
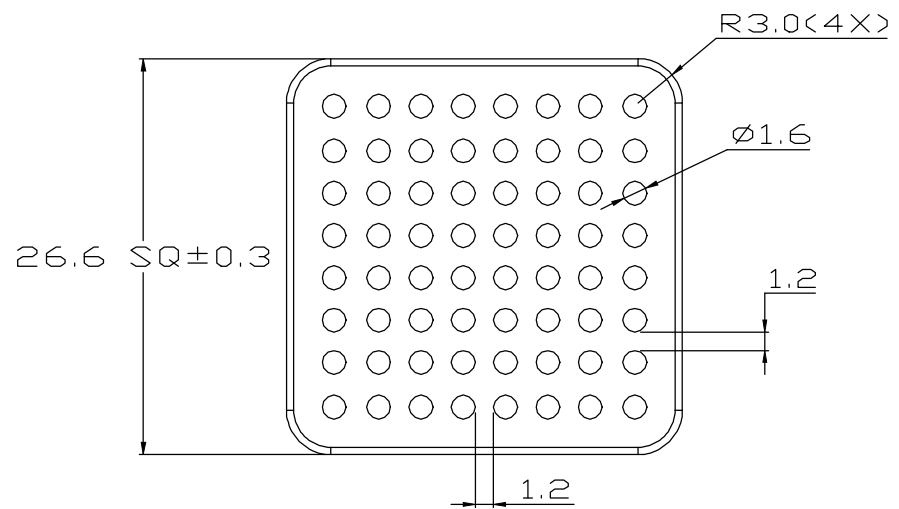


REV.	DESCRIPTION	DATE	CHECKED
A	NEW RELEASE	06.16.2015	LUCY



UNIT:	MM
TOLERANCE TABLE	
X.	$\pm 0.30$
X.X	$\pm 0.20$
X.XX	$\pm 0.10$
ANGLE	$\pm 1^\circ$

FINISH:	NATURAL ANODIZE			
MATERIAL:	AL 6063			
DATE:	06.16.2015	APPROVED:	CHECKED:	DRAWN:
TITLE:	HEAT SINK	AUDI	WEN	LUCY
P/N :		REV.: A		
Uni-H27052-33P/2.6				