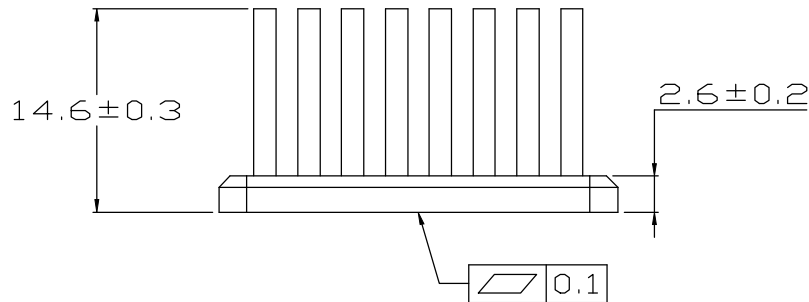
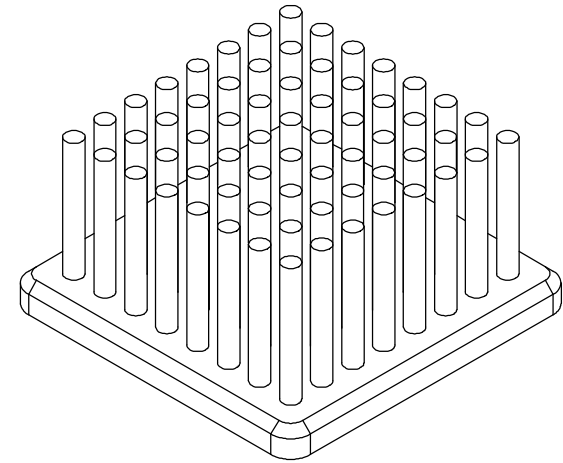
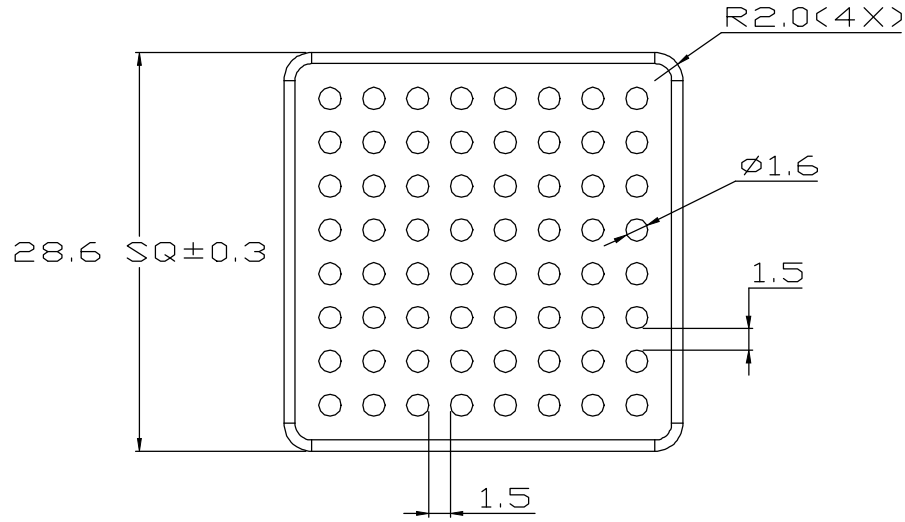


REV.	DESCRIPTION	DATE	CHECKED
A	NEW RELEASE	06.16.2015	LUCY



UNIT:	MM
TOLERANCE TABLE	
X.	± 0.30
X.X	± 0.20
X.XX	± 0.10
ANGLE	$\pm 1^\circ$

FINISH: NATURAL ANODIZE		ENZOTECH			
MATERIAL: AL 6063		APPROVED: AUDI	CHECKED: WEN	DRAWN: LUCY	REV.: A
DATE: 06.16.2015		P/N.:			
TITLE: HEAT SINK		Uni-H29052-15P/2.6			