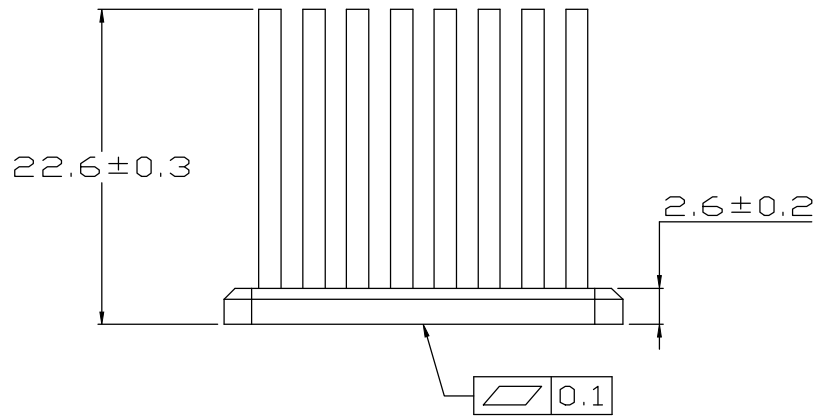
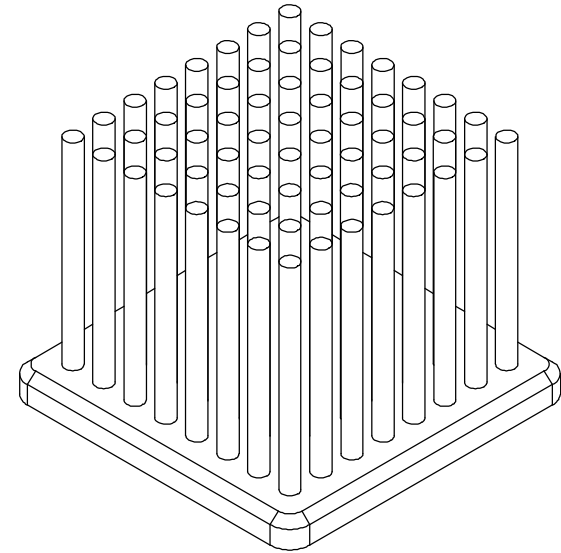
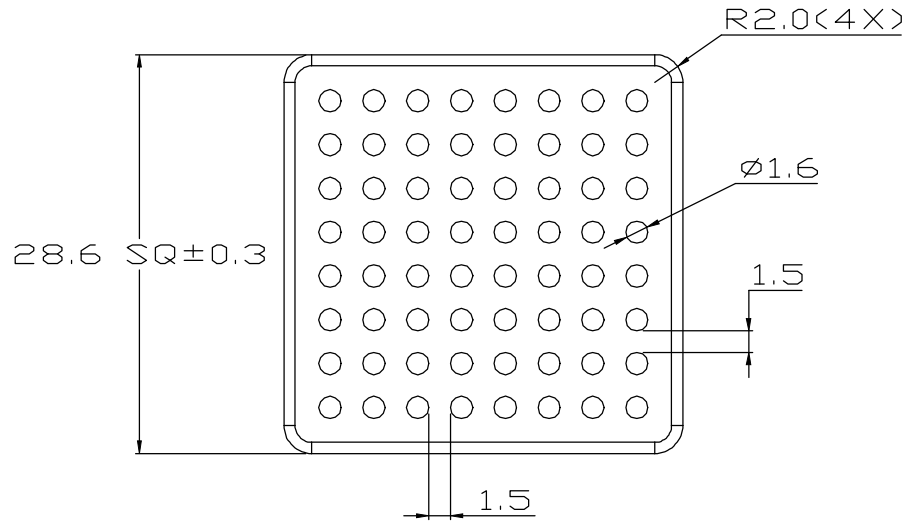


REV.	DESCRIPTION	DATE	CHECKED
A	NEW RELEASE	06.16.2015	LUCY



UNIT:	MM
TOLERANCE TABLE	
X.	± 0.30
X.X	± 0.20
X.XX	± 0.10
ANGLE	$\pm 1^\circ$

FINISH: NATURAL ANODIZE				
ENZOTECH				
MATERIAL: AL 6063				
APPROVED:	CHECKED:	DRAWN:	REV.:	
AUDI	WEN	LUCY	A	
DATE: 06.16.2015				
P/N. :				
TITLE: HEAT SINK				
Uni-H29052-23P/2.6				