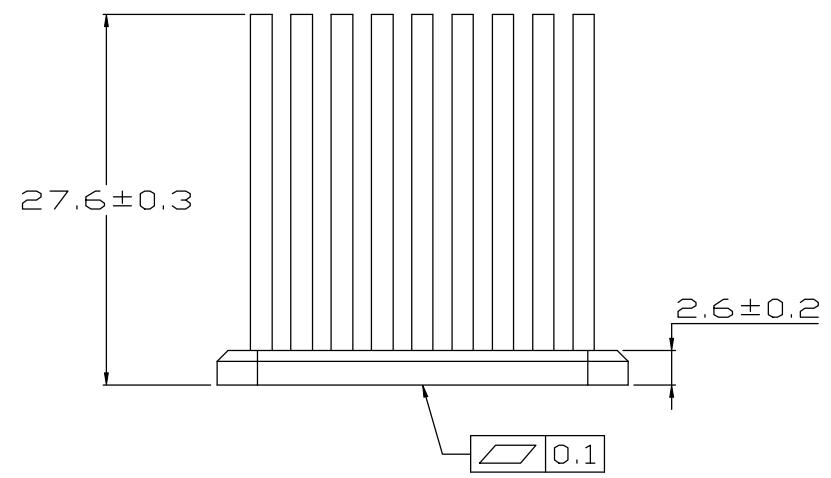
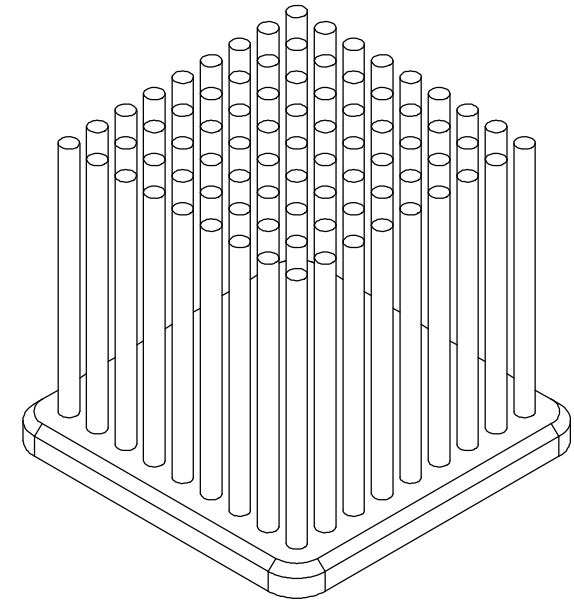
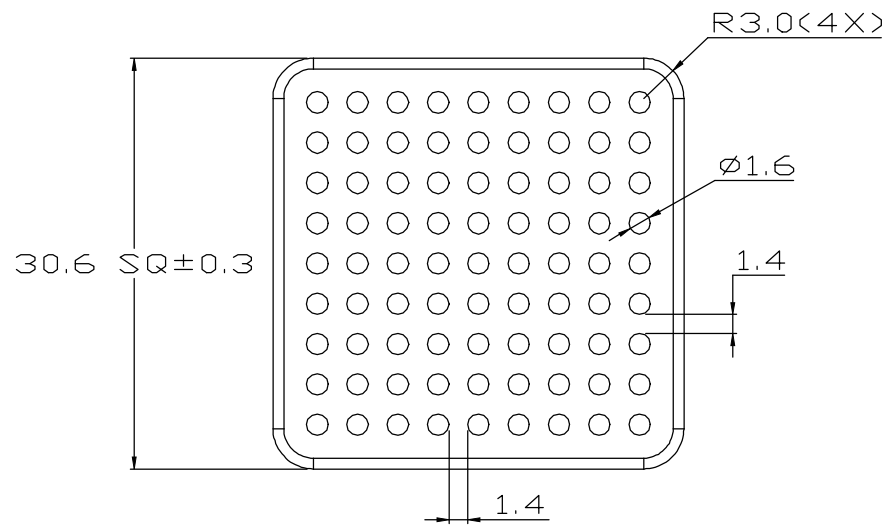


REV.	DESCRIPTION	DATE	CHECKED
A	NEW RELEASE	06.16.2015	LUCY



UNIT:	MM
TOLERANCE TABLE	
X.	=±0.30
X.X	=±0.20
X.XX	=±0.10
ANGLE	=±1°

FINISH:	NATURAL ANODIZE			
MATERIAL:	AL 6063			
DATE:	06.16.2015	APPROVED:	CHECKED:	DRAWN:
TITLE:	HEAT SINK	AUDI	WEN	LUCY
		REV.:	A	
		P/N :		
		Uni-H31052-28P/2.6		

A
B
C
D
E
F

A
B
C
D
E
F

1 2 3 4 5 6 7 8 9 10