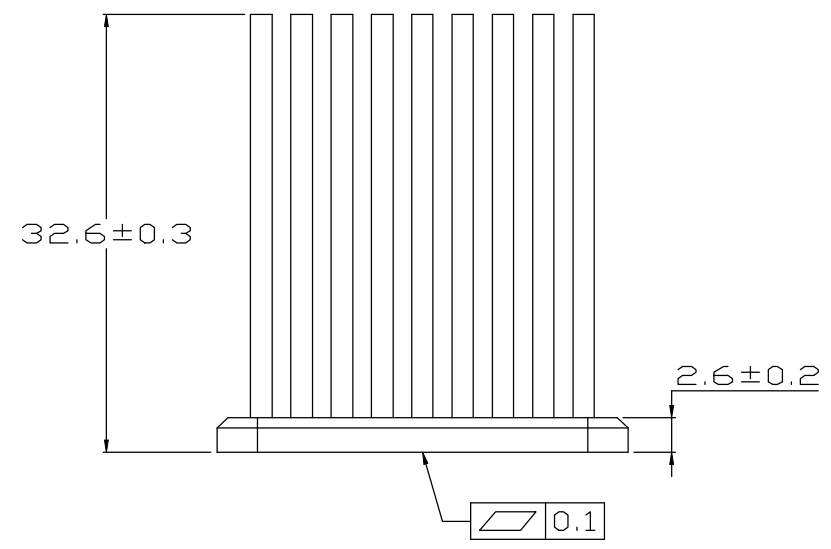
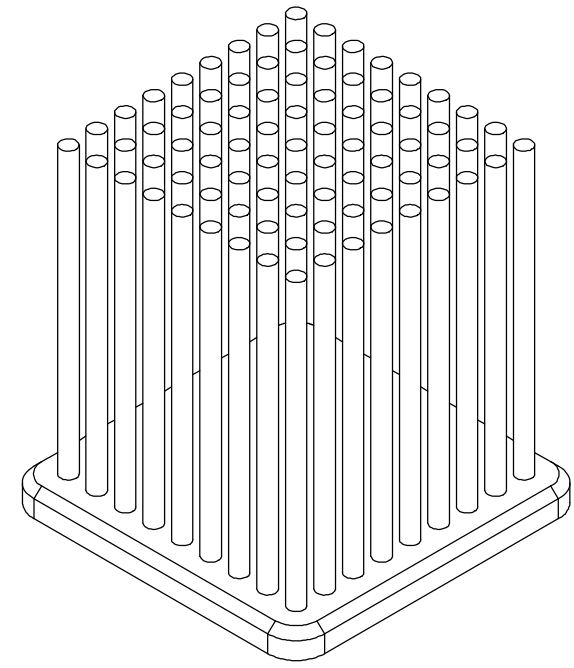
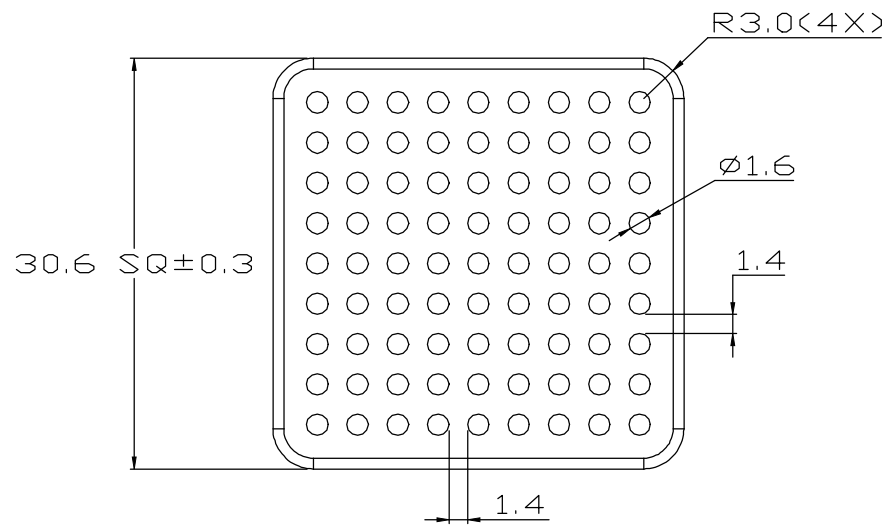


| REV. | DESCRIPTION | DATE | CHECKED |
|------|-------------|------------|---------|
| A | NEW RELEASE | 06.16.2015 | LUCY |



| | |
|-----------------|--------|
| UNIT: | MM |
| TOLERANCE TABLE | |
| X. | =±0.30 |
| X.X | =±0.20 |
| X.XX | =±0.10 |
| ANGLE | =±1° |

| | | | | |
|-----------|-----------------|--------------------|--------|-------|
| FINISH: | NATURAL ANODIZE | | | |
| MATERIAL: | AL 6063 | | | |
| DATE: | 06.16.2015 | P/N : | | |
| TITLE: | HEAT SINK | | | |
| APPROVED: | | CHECKED: | DRAWN: | REV.: |
| AUDI | | WEN | LUCY | A |
| ENZOTECH | | Uni-H31052-33P/2.6 | | |