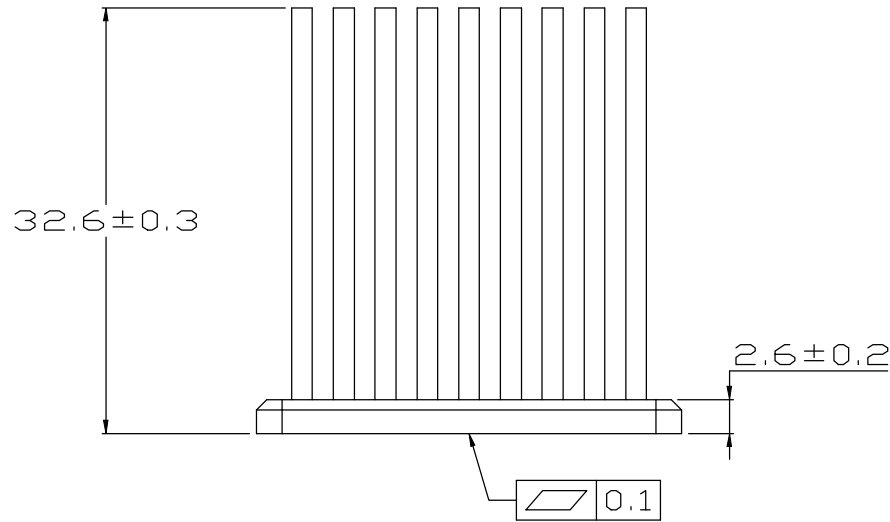
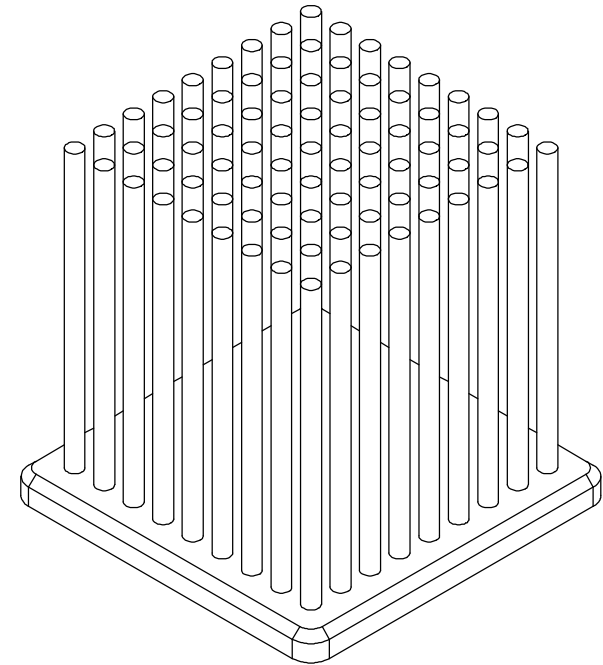
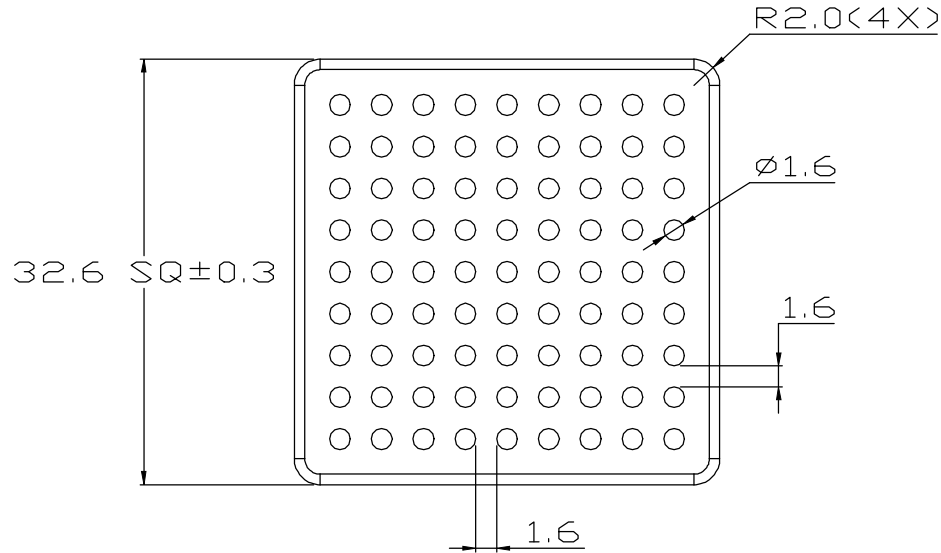


REV.	DESCRIPTION	DATE	CHECKED
A	NEW RELEASE	06.16.2015	LUCY



UNIT:	MM
TOLERANCE TABLE	
X.	± 0.30
X.X	± 0.20
X.XX	± 0.10
ANGLE	$\pm 1^\circ$

FINISH:					
NATURAL ANODIZE					
ENZOTECH					
MATERIAL:					
AL 6063		APPROVED:	CHECKED:	DRAWN:	REV.:
DATE:		AUDI	WEN	LUCY	A
06.16.2015		P/N :			
TITLE:		Uni-H33052-33P/2.6			
HEAT SINK					