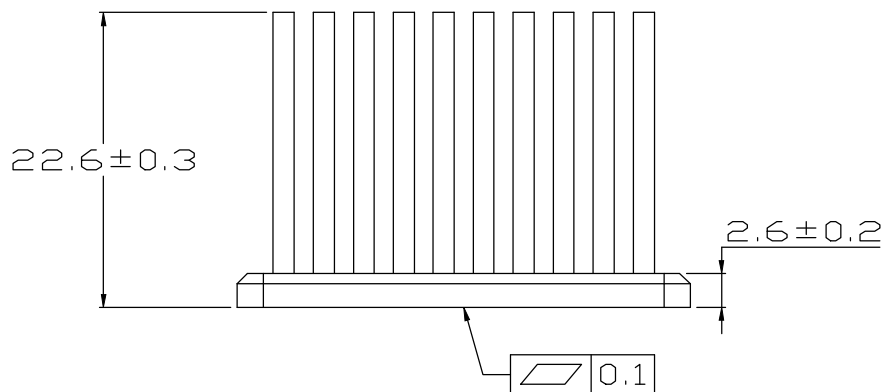
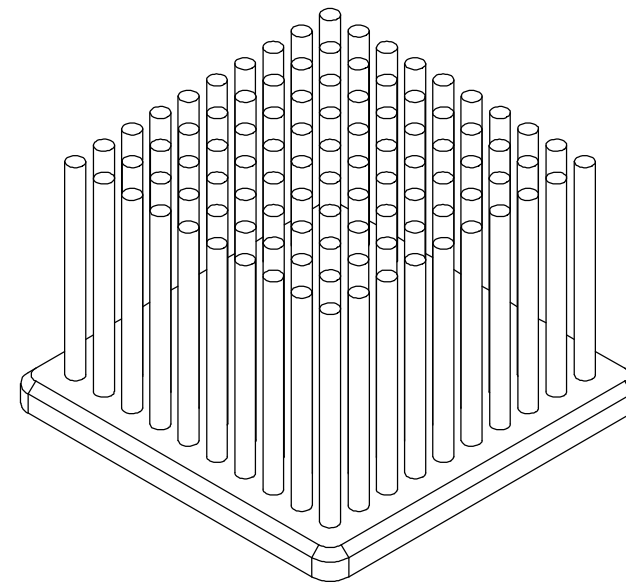
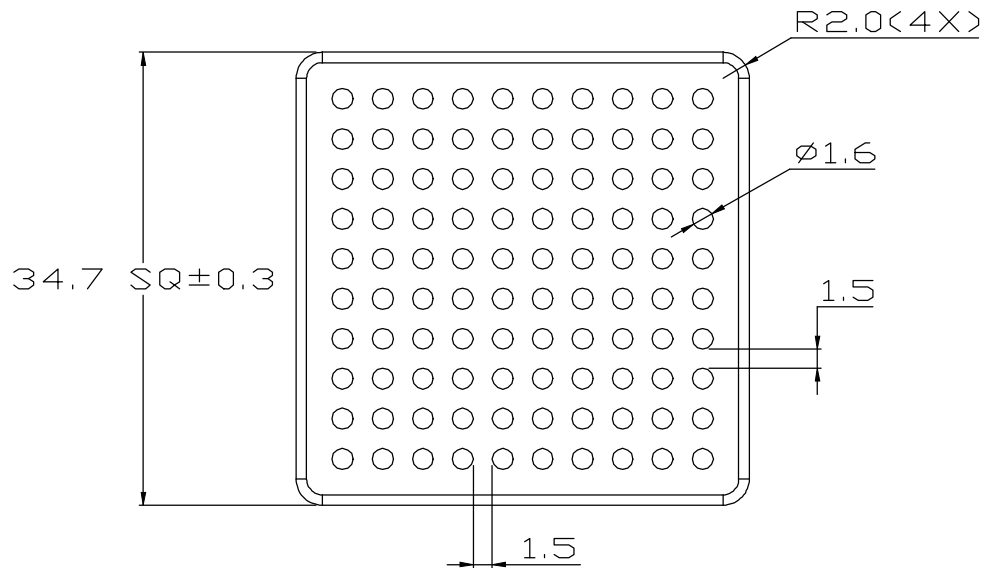


REV.	DESCRIPTION	DATE	CHECKED
A	NEW RELEASE	06.16.2015	LUCY



UNIT:	MM
TOLERANCE TABLE	
X.	± 0.30
X.X	± 0.20
X.XX	± 0.10
ANGLE	$\pm 1^\circ$

FINISH: NATURAL ANODIZE					ENZOTECH					
MATERIAL: AL 6063										
DATE: 06.16.2015					APPROVED: AUDI	CHECKED: WEN	DRAWN: LUCY	REV.: A		
TITLE: HEAT SINK					P/N : Uni-H35052-23P/2.6					