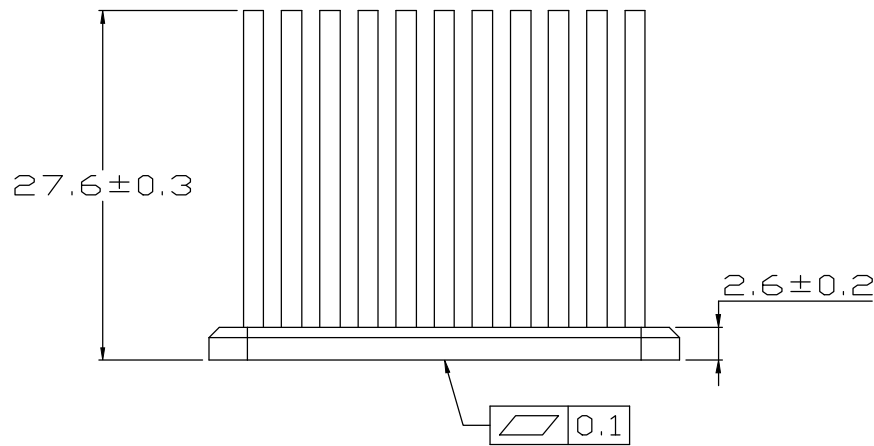
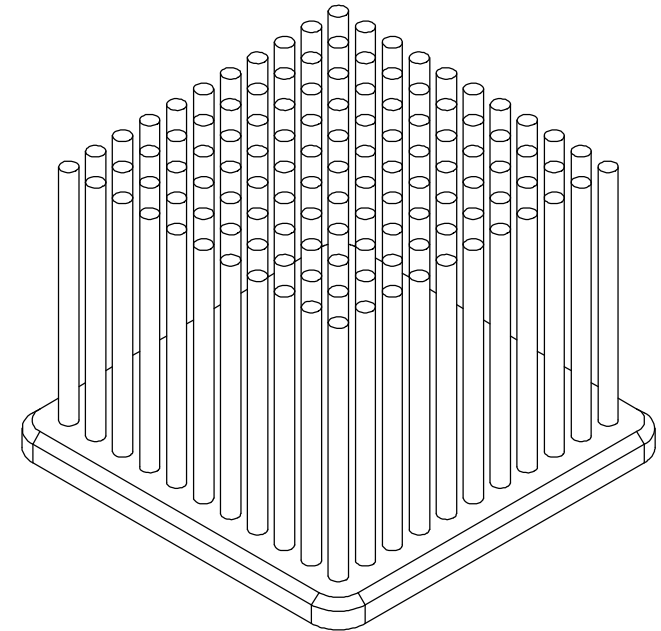
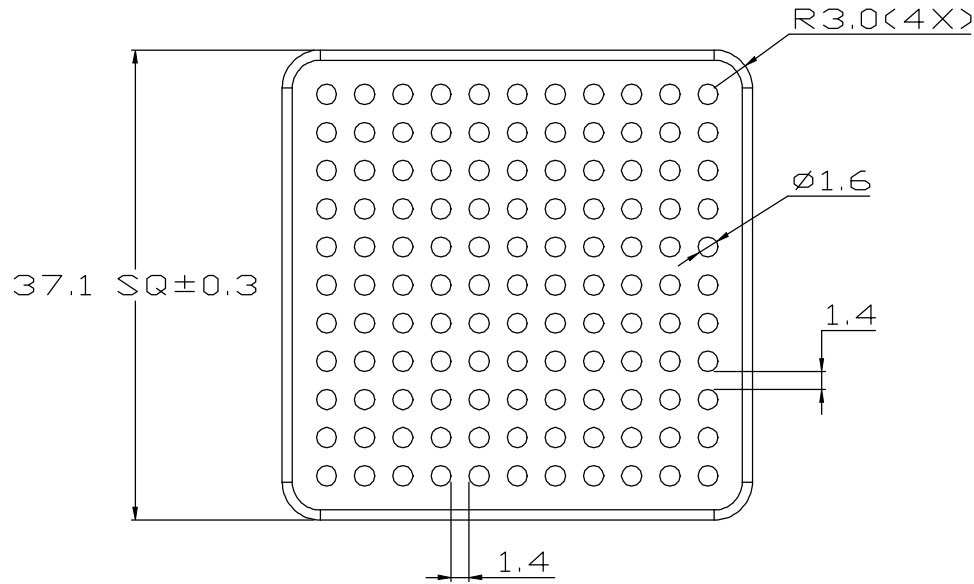


REV.	DESCRIPTION	DATE	CHECKED
A	NEW RELEASE	06.17.2015	LUCY



UNIT:	MM
TOLERANCE TABLE	
X.	±0.30
X.X	±0.20
X.XX	±0.10
ANGLE	±1°

FINISH: NATURAL ANODIZE		ENZOTECH			
MATERIAL: AL 6063					
DATE: 06.17.2015	APPROVED: AUDI	CHECKED: WEN	DRAWN: LUCY	REV.: A	P/N.: Uni-H37.5052-28P/2.6
TITLE: HEAT SINK					