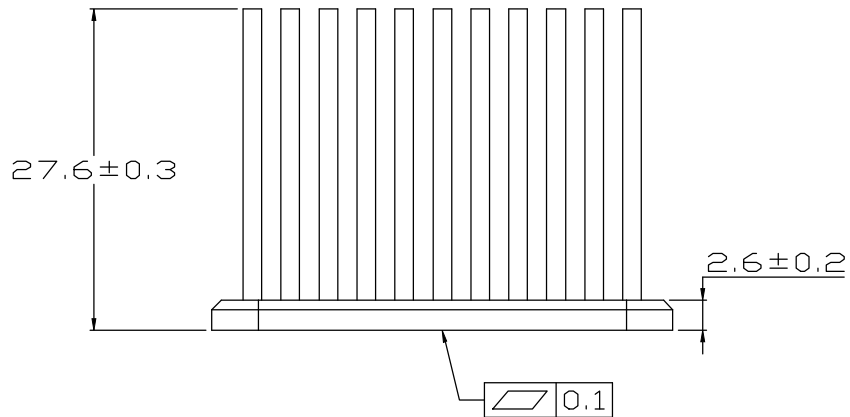
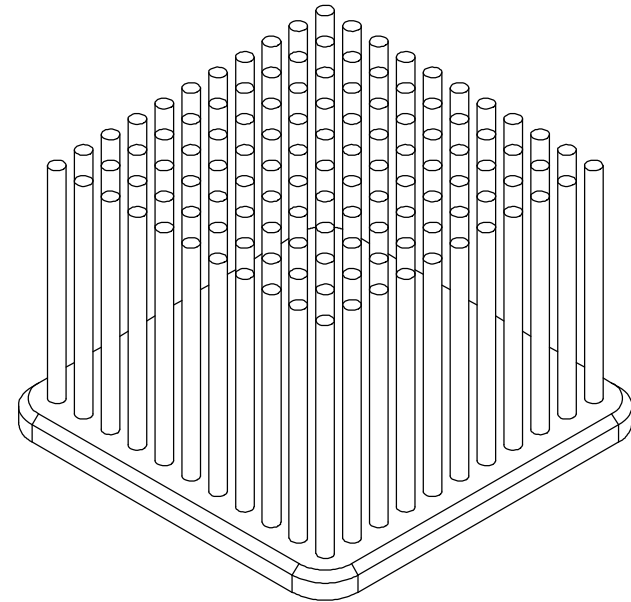
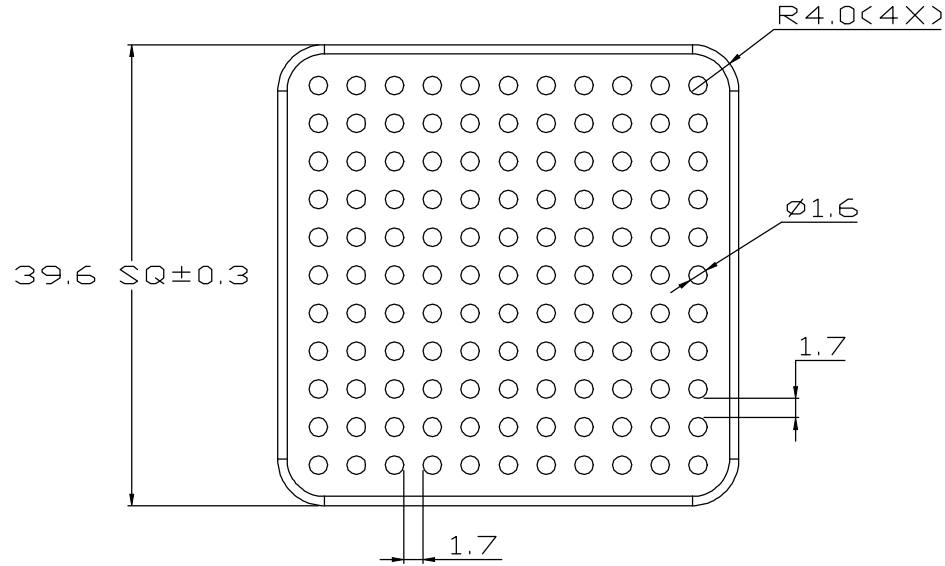


REV.	DESCRIPTION	DATE	CHECKED
A	NEW RELEASE	06.17.2015	LUCY



UNIT:	MM
TOLERANCE TABLE	
X.	± 0.30
X.X	± 0.20
X.XX	± 0.10
ANGLE	$\pm 1^\circ$

FINISH:	NATURAL ANODIZE			
MATERIAL:	AL 6063			
DATE:	06.17.2015	APPROVED:	CHECKED:	DRAWN:
TITLE:	HEAT SINK	AUDI	WEN	LUCY
		REV.:	A	
		P/N. :		
		Uni-H40052-28P/2.6		

ENZOTECH

Uni-H40052-28P/2.6