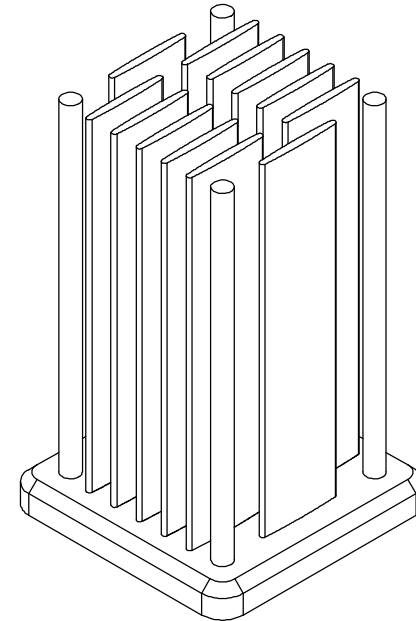
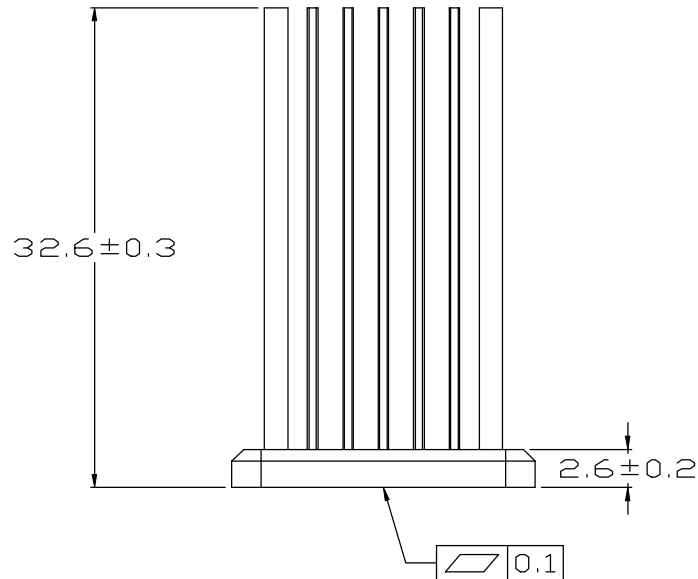
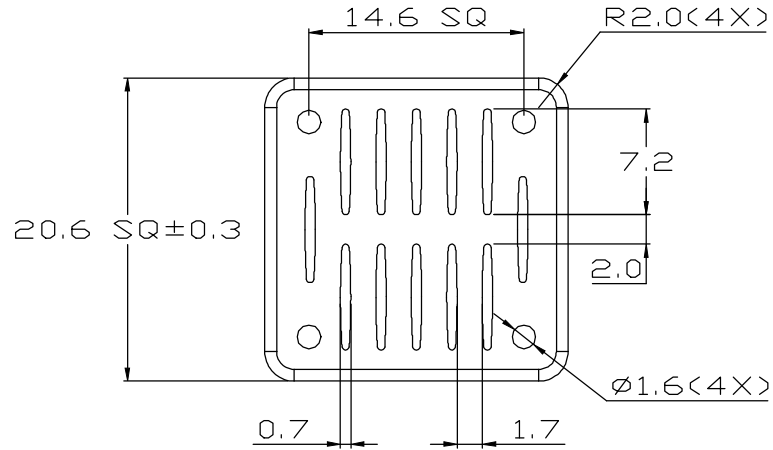


| REV. | DESCRIPTION | DATE | CHECKED |
|------|-------------|------------|---------|
| A | NEW RELEASE | 06.15.2015 | LUCY |



| | |
|-----------------|--------|
| UNIT: | MM |
| TOLERANCE TABLE | |
| X. | =±0.30 |
| X.X | =±0.20 |
| X.XX | =±0.10 |
| ANGLE | =±1° |

| | | | | |
|------------|--------------------|----------|--------|-------|
| FINISH: | NATURAL ANODIZE | | | |
| MATERIAL: | AL 6063 | | | |
| DATE: | APPROVED: | CHECKED: | DRAWN: | REV.: |
| 06.15.2015 | AUDI | WEN | LUCY | A |
| TITLE: | P/N. : | | | |
| HEAT SINK | Uni-H21051-33W/2.6 | | | |