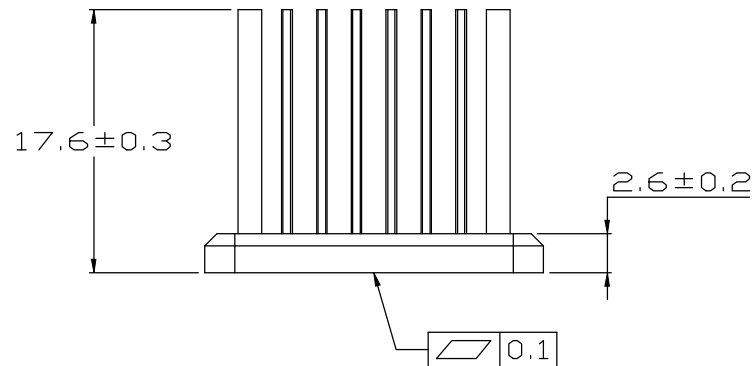
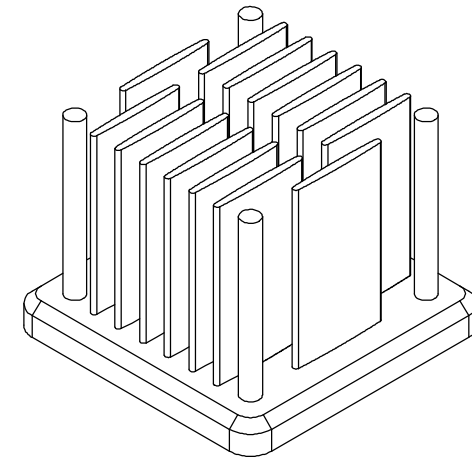
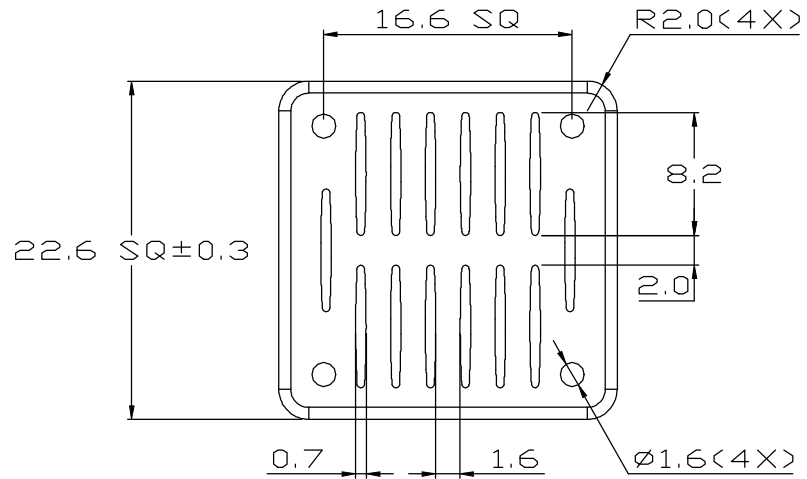


REV.	DESCRIPTION	DATE	CHECKED
A	NEW RELEASE	06.15.2015	LUCY



UNIT:	MM
TOLERANCE TABLE	
X.	±0.30
X.X	±0.20
X.XX	±0.10
ANGLE	±1°

FINISH: NATURAL ANODIZE		<b>ENZOTECH</b>			
MATERIAL: AL 6063					
DATE: 06.15.2015	APPROVED: AUDI	CHECKED: WEN	DRAWN: LUCY	REV.: A	P/N : <b>Uni-H23051-18W/2.6</b>
TITLE: HEAT SINK					