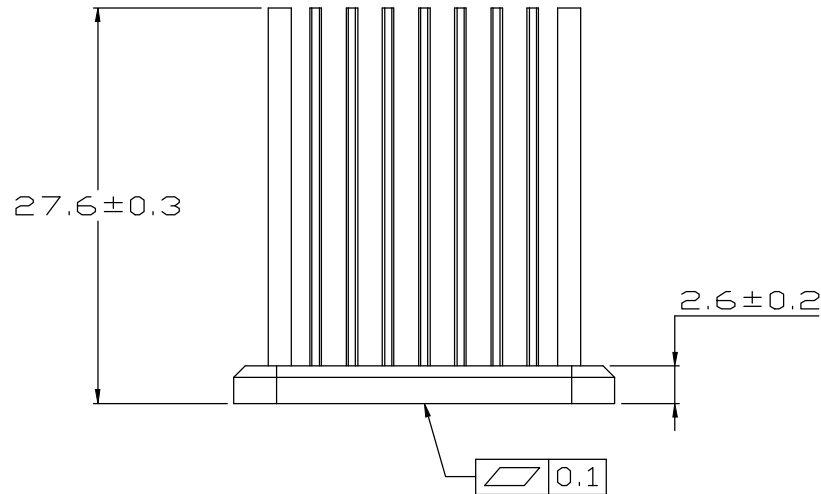
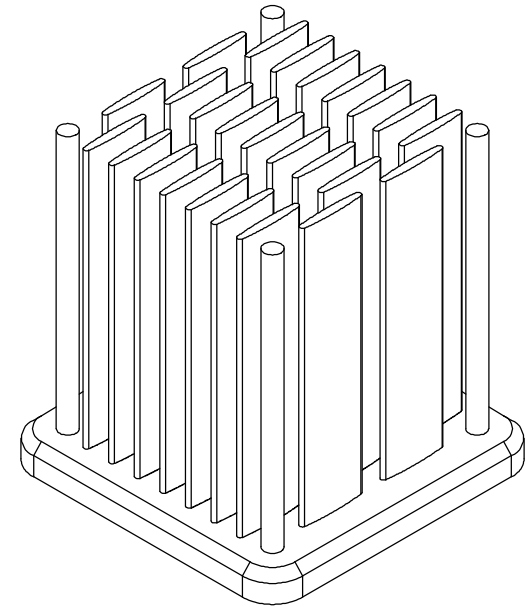
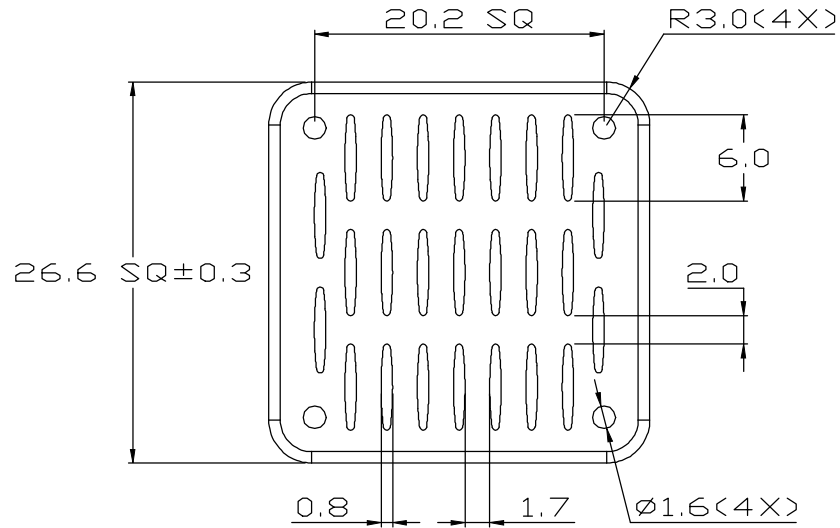


REV.	DESCRIPTION	DATE	CHECKED
A	NEW RELEASE	06.15.2015	LUCY



UNIT:	MM
TOLERANCE TABLE	
X.	±0.30
X.X	±0.20
X.XX	±0.10
ANGLE	±1°

FINISH:		<b>ENZOTECH</b>			
NATURAL ANODIZE					
MATERIAL:		APPROVED:	CHECKED:	DRAWN:	REV.:
AL 6063		AUDI	WEN	LUCY	A
DATE:		P/N :			
06.15.2015		Uni-H27051-28W/2.6			
TITLE:					
HEAT SINK					