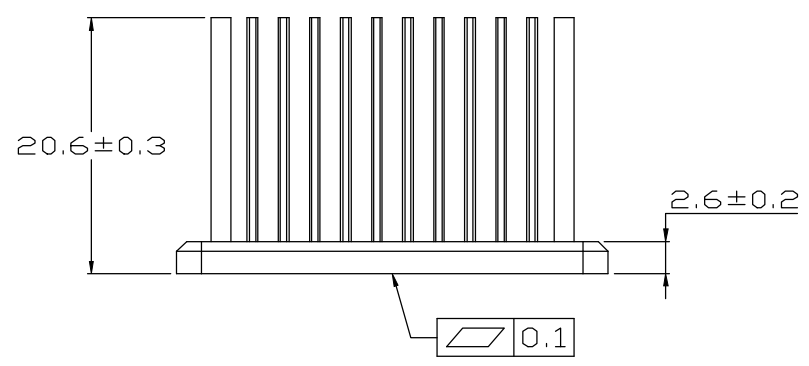
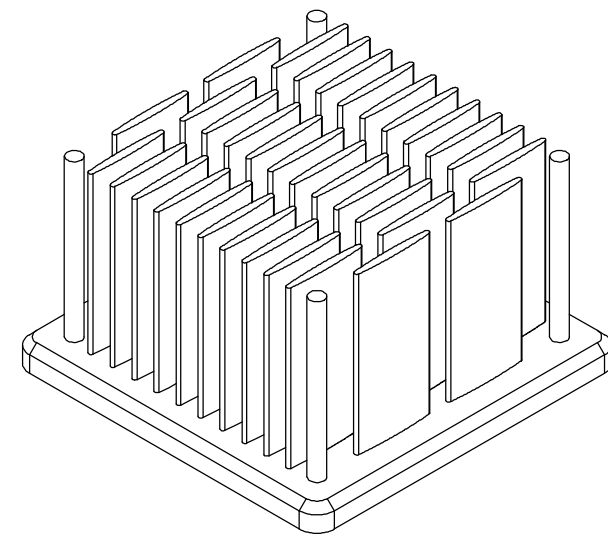
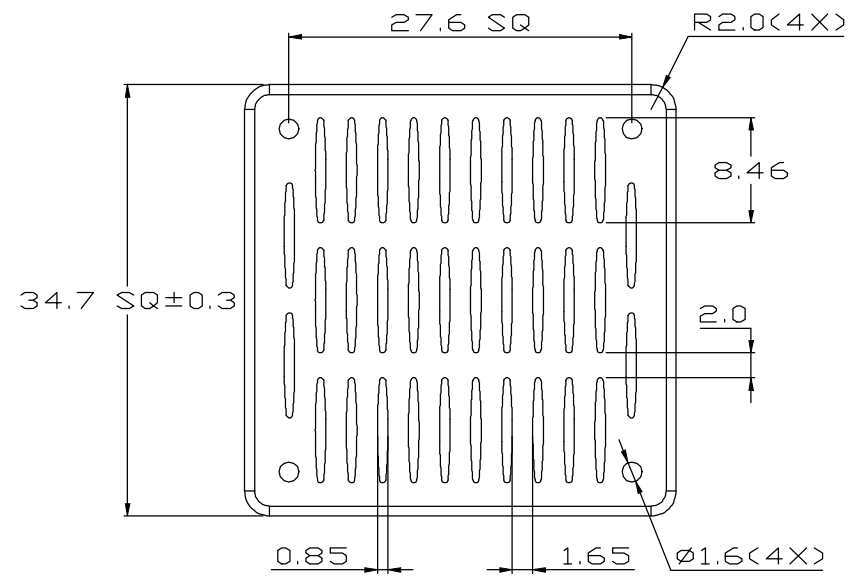


REV.	DESCRIPTION	DATE	CHECKED
A	NEW RELEASE	06.16.2015	LUCY



UNIT:	MM
TOLERANCE TABLE	
X.	=±0.30
X.X	=±0.20
X.XX	=±0.10
ANGLE	=±1°

FINISH:		ENZOTECH			
NATURAL ANODIZE					
MATERIAL:		APPROVED:	CHECKED:	DRAWN:	REV.:
AL 6063		AUDI	WEN	LUCY	A
DATE:		P/N :			
06.16.2015		Uni-H35051-21W/2.6			
TITLE:		HEAT SINK			