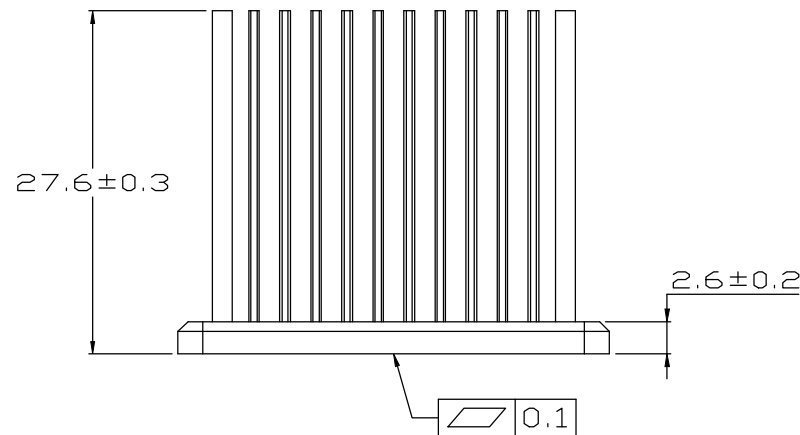
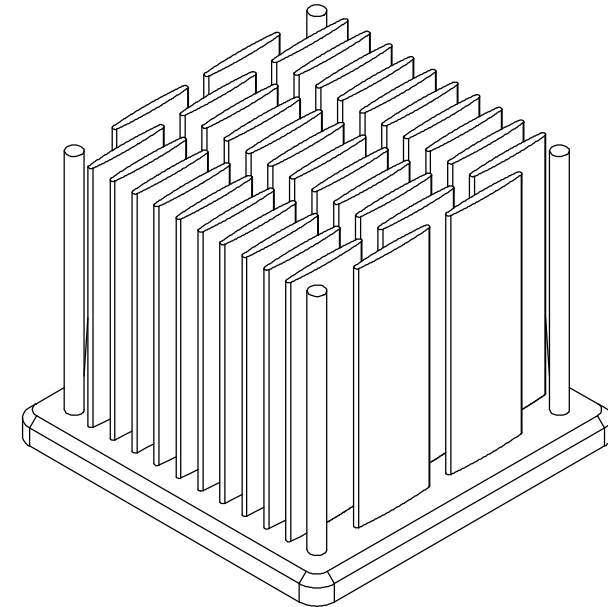
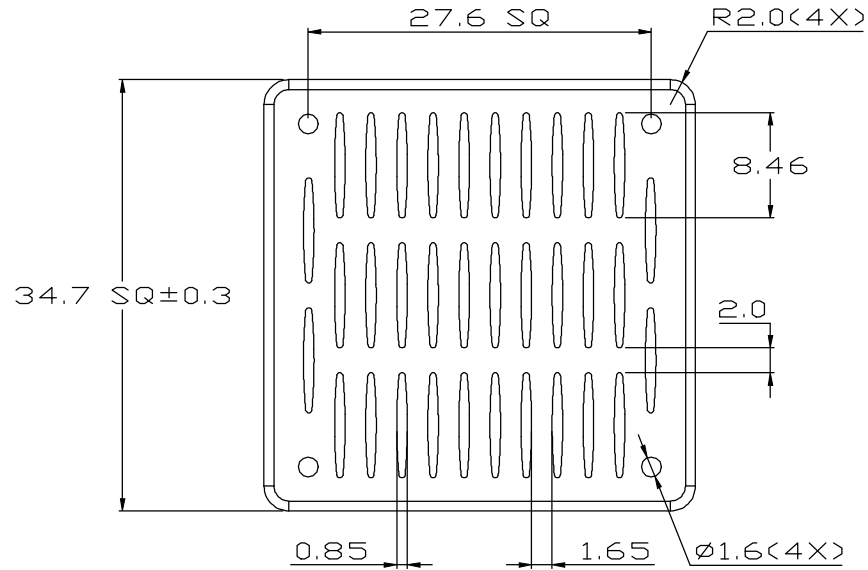


| REV. | DESCRIPTION | DATE | CHECKED |
|------|-------------|------------|---------|
| A | NEW RELEASE | 06.16.2015 | LUCY |



| | | | | |
|----------------------------|-----------------------------|-----------------|----------------|------------|
| FINISH: NATURAL ANODIZE | ENZOTECH | | | |
| MATERIAL: AL 6063 | APPROVED: AUDI | CHECKED: WEN | DRAWN: LUCY | REV.: A |
| DATE: 06.16.2015 | P/N : Uni-H35051-28W/2.6 | | | |
| TITLE: HEAT SINK | | | | |

| | |
|-----------------|--------|
| UNIT: | MM |
| TOLERANCE TABLE | |
| X. | =±0.30 |
| X.X | =±0.20 |
| X.XX | =±0.10 |
| ANGLE | =±1° |