

1 2 3 4 5 6 7 8 9 10

A

B

C

D

E

F

A

B

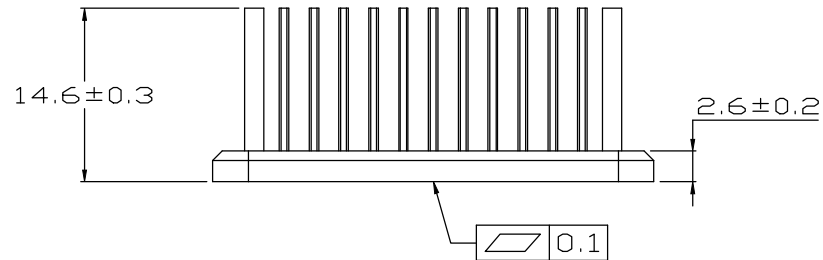
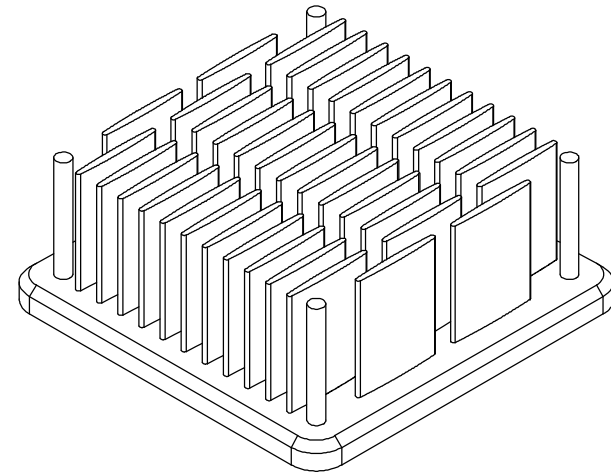
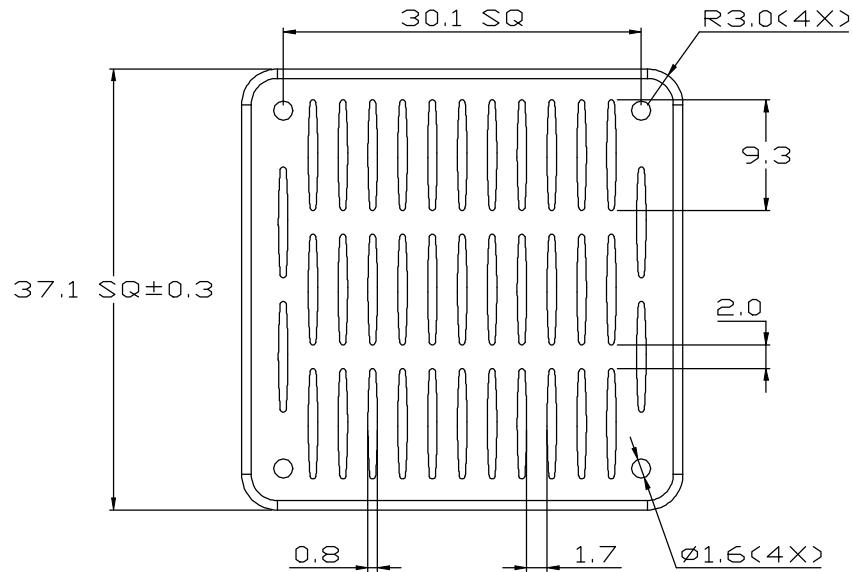
C

D

E

F

| REV. | DESCRIPTION | DATE       | CHECKED |
|------|-------------|------------|---------|
| A    | NEW RELEASE | 06.16.2015 | LUCY    |



|            |                      |          |        |       |
|------------|----------------------|----------|--------|-------|
| FINISH:    | NATURAL ANODIZE      |          |        |       |
| MATERIAL:  | AL 6063              |          |        |       |
| DATE:      | APPROVED:            | CHECKED: | DRAWN: | REV.: |
| 06.16.2015 | AUDI                 | WEN      | LUCY   | A     |
| TITLE:     | P/N. :               |          |        |       |
| HEAT SINK  | Uni-H37.5051-15W/2.6 |          |        |       |

|                 |        |
|-----------------|--------|
| UNIT:           | MM     |
| TOLERANCE TABLE |        |
| X.              | =±0.30 |
| X.X             | =±0.20 |
| X.XX            | =±0.10 |
| ANGLE           | =±1°   |

1 2 3 4 5 6 7 8 9 10 A2