

1 2 3 4 5 6 7 8 9 10

A

B

C

D

E

F

A

B

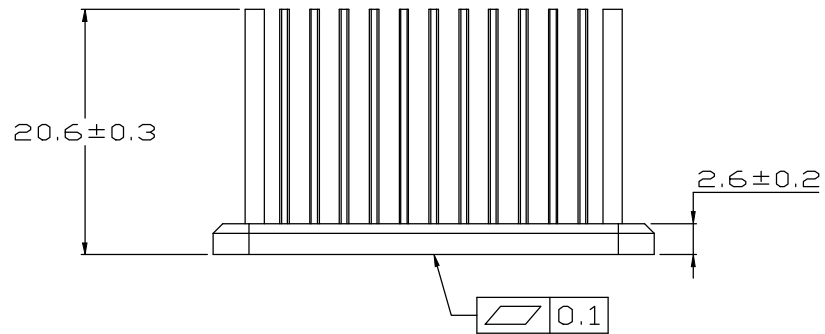
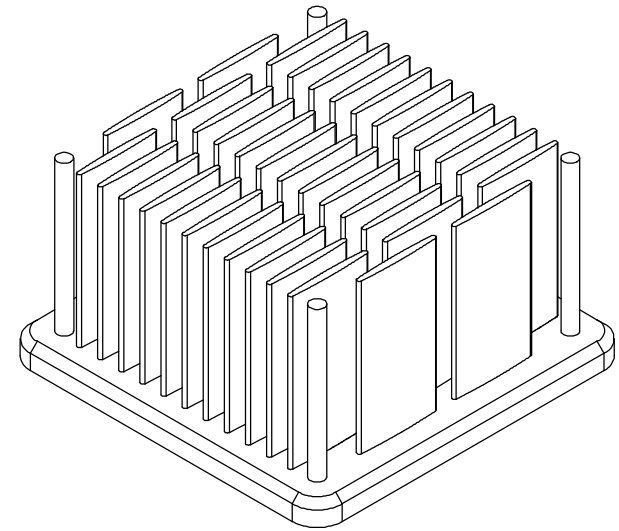
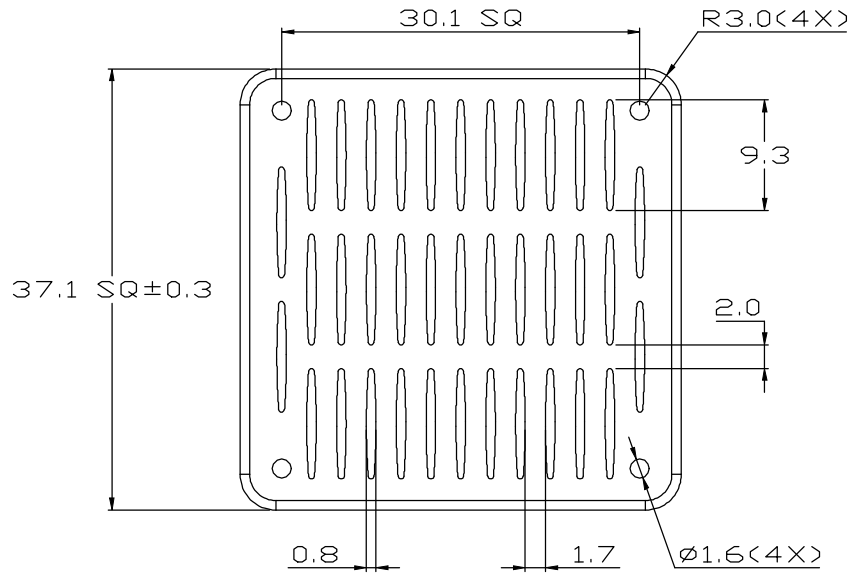
C

D

E

F

REV.	DESCRIPTION	DATE	CHECKED
A	NEW RELEASE	06.16.2015	LUCY



FINISH: NATURAL ANODIZE	ENZOTECH			
MATERIAL: AL 6063	APPROVED: AUDI	CHECKED: WEN	DRAWN: LUCY	REV.: A
DATE: 06.16.2015	P/N. : Uni-H37.5051-21W/2.6			
TITLE: HEAT SINK				

UNIT:	MM
TOLERANCE TABLE	
X.	=±0.30
X.X	=±0.20
X.XX	=±0.10
ANGLE	=±1°

1 2 3 4 5 6 7 8 9 10 A2