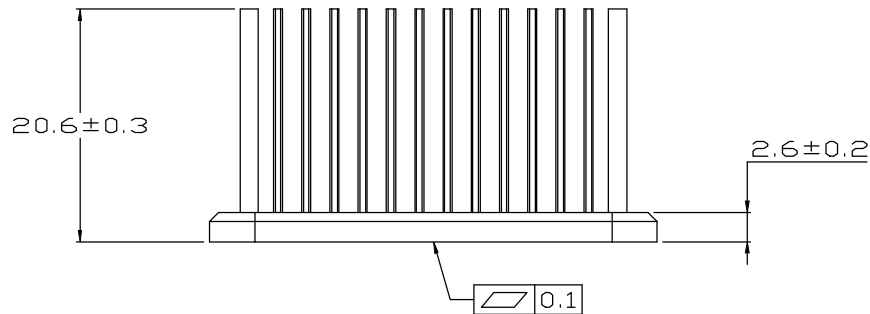
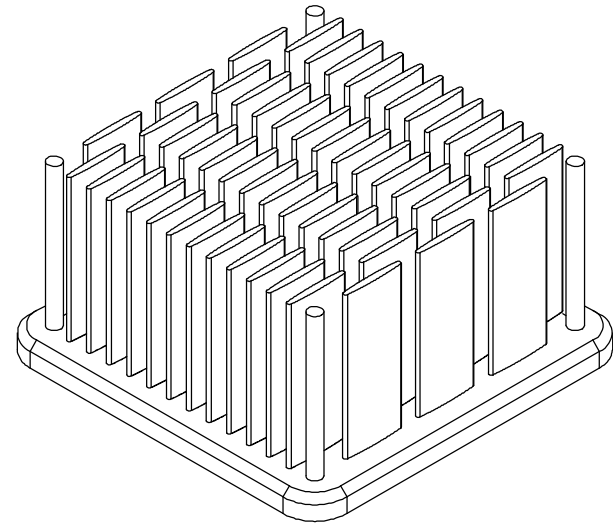
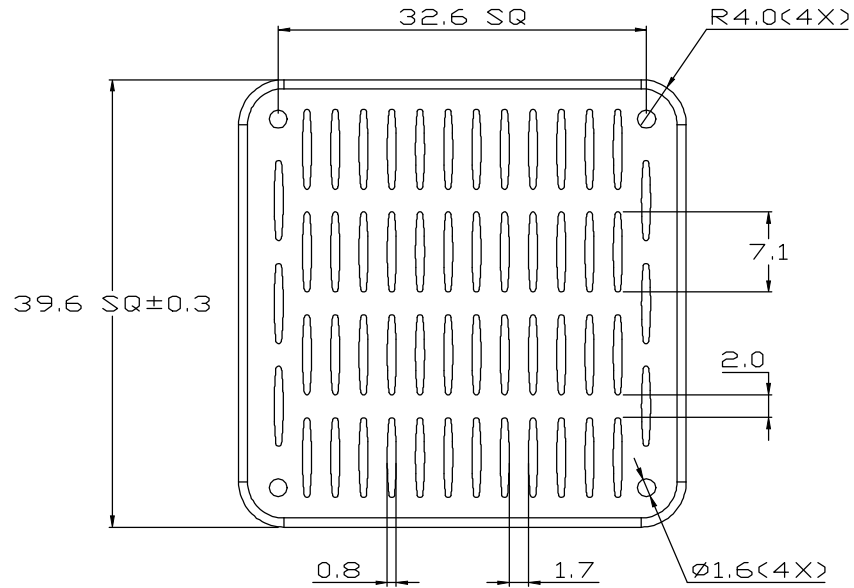


REV.	DESCRIPTION	DATE	CHECKED
A	NEW RELEASE	06.16.2015	LUCY



UNIT:	MM
TOLERANCE TABLE	
X.	= ±0.30
X.X	= ±0.20
X.XX	= ±0.10
ANGLE	= ±1°

FINISH: NATURAL ANODIZE		ENZOTECH			
MATERIAL: AL 6063					
DATE: 06.16.2015	APPROVED: AUDI	CHECKED: WEN	DRAWN: LUCY	REV.: A	P/N : Uni-H40051-21W/2.6
TITLE: HEAT SINK					